
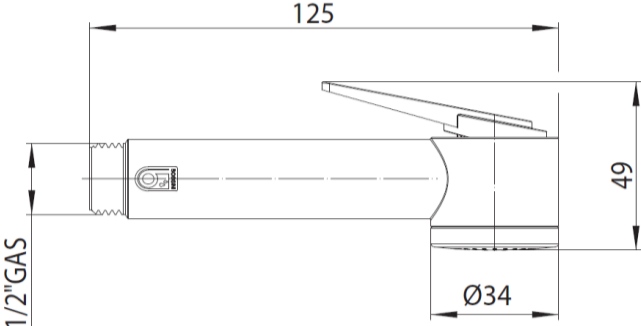
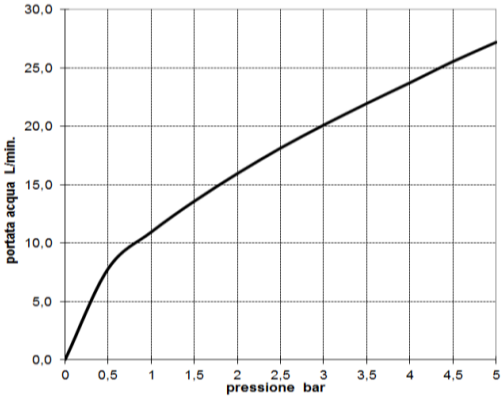


BOSSINI		SCHEDA TECNICA TECHNICAL SHEET		Date: 31/08/2017	Rev/0																																							
Codice / Code: B00462		Descrizione / description: Doccia a pulsante Shut-off handspray																																										
Foto / 		Disegni / drawings 																																										
Grafico di portata / Flow rate diagram		<table border="1"> <thead> <tr> <th></th> <th colspan="2">RAIN</th> </tr> </thead> <tbody> <tr><td>0</td><td>0,0</td><td></td></tr> <tr><td>0,5</td><td>7,8</td><td></td></tr> <tr><td>1</td><td>10,9</td><td></td></tr> <tr><td>1,5</td><td>13,6</td><td></td></tr> <tr><td>2</td><td>16,0</td><td></td></tr> <tr><td>2,5</td><td>18,1</td><td></td></tr> <tr><td>3</td><td>20,1</td><td></td></tr> <tr><td>3,5</td><td>22,0</td><td></td></tr> <tr><td>4</td><td>23,7</td><td></td></tr> <tr><td>4,5</td><td>25,5</td><td></td></tr> <tr><td>5</td><td>27,2</td><td></td></tr> <tr> <td>pressione bar</td> <td colspan="2">portata L/min</td> </tr> </tbody> </table> 					RAIN		0	0,0		0,5	7,8		1	10,9		1,5	13,6		2	16,0		2,5	18,1		3	20,1		3,5	22,0		4	23,7		4,5	25,5		5	27,2		pressione bar	portata L/min	
	RAIN																																											
0	0,0																																											
0,5	7,8																																											
1	10,9																																											
1,5	13,6																																											
2	16,0																																											
2,5	18,1																																											
3	20,1																																											
3,5	22,0																																											
4	23,7																																											
4,5	25,5																																											
5	27,2																																											
pressione bar	portata L/min																																											
MATERIALI / materials																																												
Abs, Ottone/Brass, Nbr, Silicone, Inox																																												
CARATTERISTICHE IDRAULICHE / hydraulic features																																												
	pressione pressure	portata flow rate	temperatura temperature	solo per miscelatori termostatici only for thermostatic mixers																																								
min	1 bar	10 L/min	--	Blocco di sicurezza safety lock	/																																							
max	5 bar	--	<70°C	Temperatura acqua fredda cold water temperature	/																																							
consigliata recommended	2-3 bar	--	<42°C	Temperatura acqua calda hot water temperature	/																																							
CERTIFICAZIONI / CERTIFICATIONS:																																												
ACS(FRA)																																												
CONFORMITA' / CONFORMITY :																																												
Chrome plating - EN 248.																																												