

Codice Dianflex: 110-16144

REMER

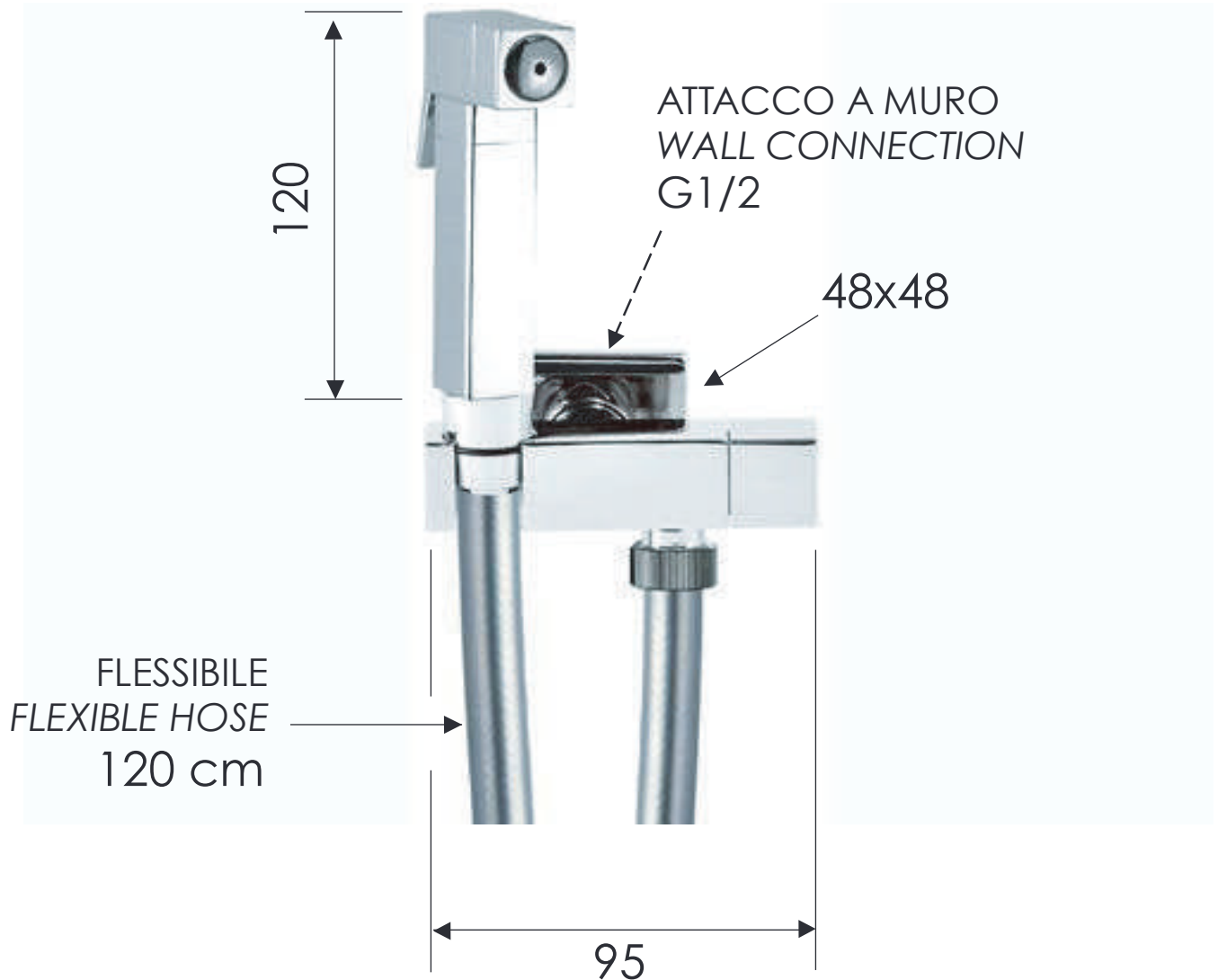
SCHEDA TECNICA

TECHNICAL FEATURES

RUBINETTERIE

ART. COD.

RB120S01



MATERIALI / MATERIALS

OTTONE CROMATO / CHROME PLATED BRASS

PVC

CROMATURA / CHROME PLATING

UNI EN 248