

Codice Dianflex: 110-165

REMER

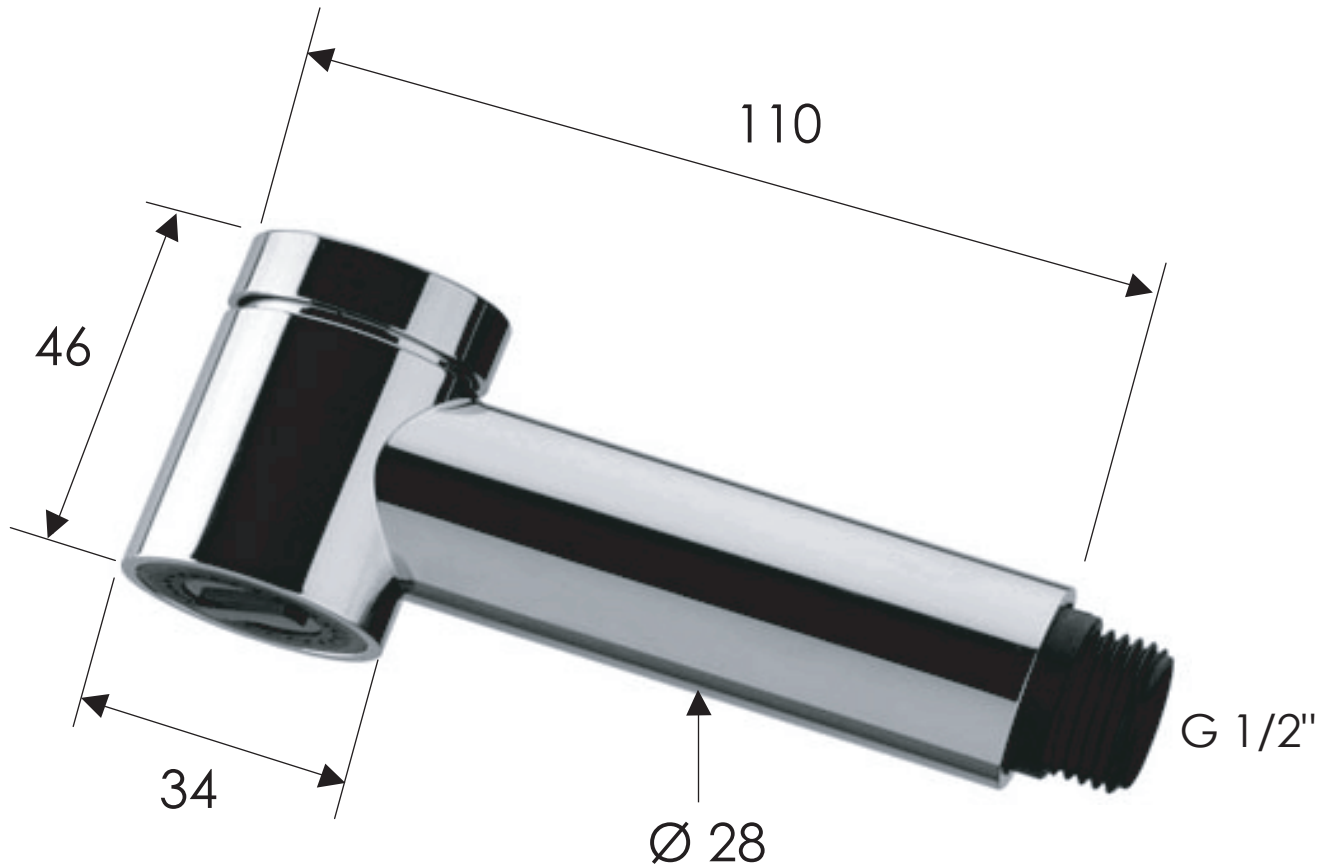
RUBINETTERIE

SCHEDA TECNICA

ART. COD.

TECHNICAL FEATURES

332EU



PRESSIONE MASSIMA / MAX PRESSURE = 5 bar

MATERIALI / MATERIALS

ABS CROMATO / CHROME PLATED ABS

CROMATURA / CHROME PLATING

UNI EN 248