

Codice Dianflex: 110-1671

REMER

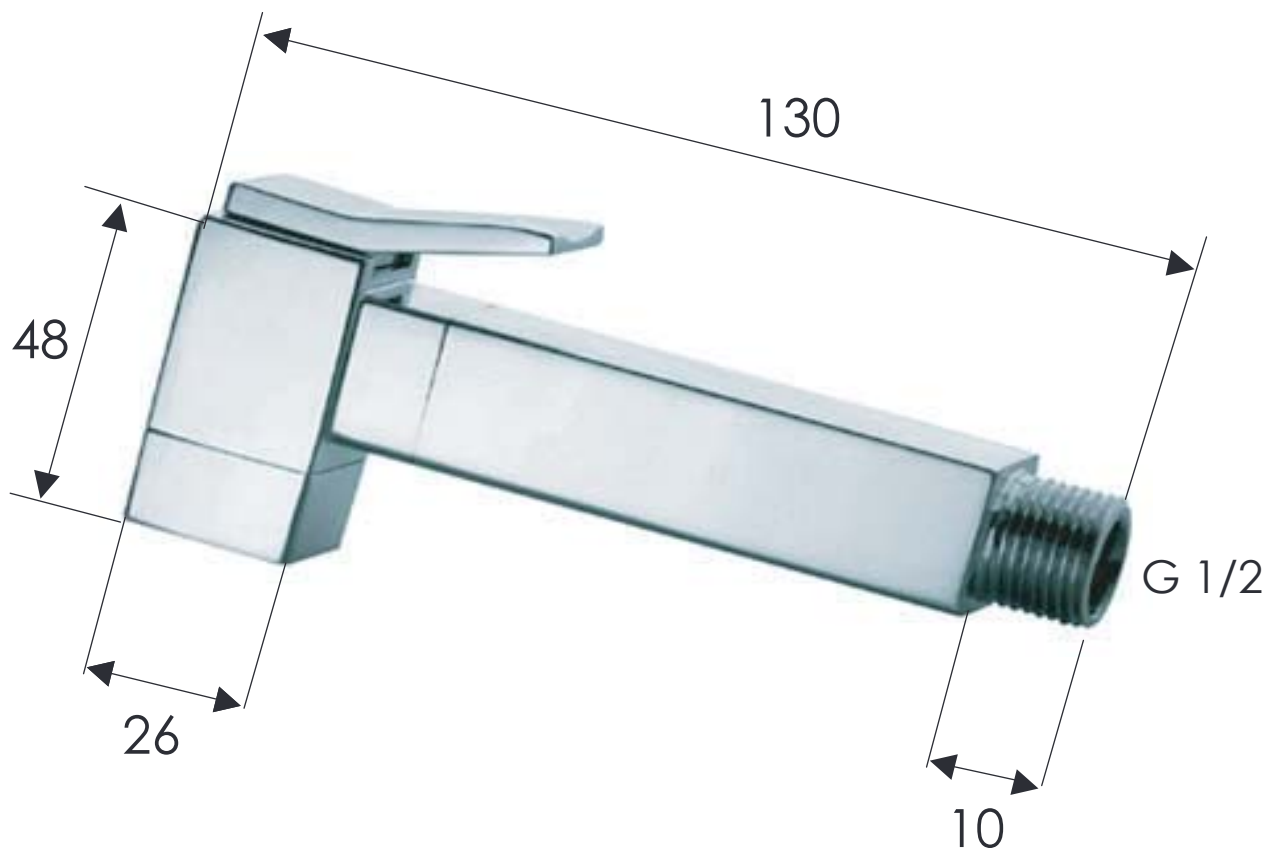
SCHEDA TECNICA

TECHNICAL FEATURES

RUBINETTERIE

ART. COD.

3320S



MATERIALI / MATERIALS

OTTONE CROMATO / CHROME PLATED BRASS
CuZn37Pb2Ni1AlFe CB753S UNI EN 12420 2000

CROMATURA / CHROME PLATING

UNI EN 248