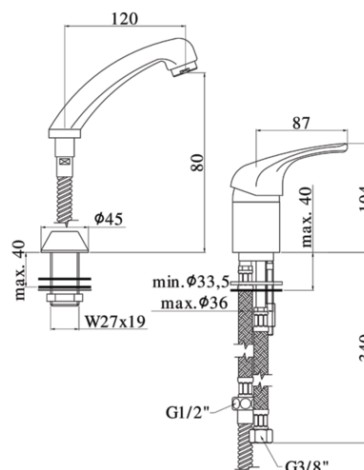


nettuno due



DESCRIZIONE | DESCRIPTION

- Miscelatore parrucchiere completo di:
- 1 flessibile nylon 1/2"G x M15x1 L.1500mm con piombo ecologico
- set 3 flessibili inox 3/8"G
- Hairdresser mixer complete with:
- 1/2"-M15x1 / L.1500mm nylon hose with ecological weight
- set of 3 stainless steel hoses 3/8"G

ARTICOLO | ARTICLE

ND 087..

- con doccetta estraibile (monogetto)
- with (single spray) pull out hand-shower

RAPPORTO PROVA PORTATA | FLOW RATE REPORT

| | | Pressione / Pressure (bar) | | | | | | | | | |
|---------------------------------|---------------|------------------------------|-----|------|-------|-------|-------|-------|-------|-------|-------|
| | | 0,5 | 1 | 1.5 | 2 | 2.5 | 3 | 3.5 | 4 | 4.5 | 5 |
| Portata / Flow rate (l / min) | Uscita outlet | 5.33 | 7.6 | 9.37 | 10.87 | 12.14 | 13.28 | 14.42 | 15.46 | 16.58 | 17.52 |