

Codice Dianflex: 140-1013-7560

Scheda tecnica – Technical sheet

ECO

ART. 6012

Mobile in nobilitato idrofugo W100, spessore 18 mm
 Sportelli con angoli squadrati
 Maniglie e piedini satinati
 Bivasca in termoformatura
 Asse di lavaggio in pino verniciato
 Sifone autopulente completo di piletta e troppopieno
 Piedini regolabili in altezza 15 mm
 Vasca forabile per installazione rubinetto (rubinetto non incluso)
 Scarico sifone a 35÷45 cm da terra

Articoli / Articles



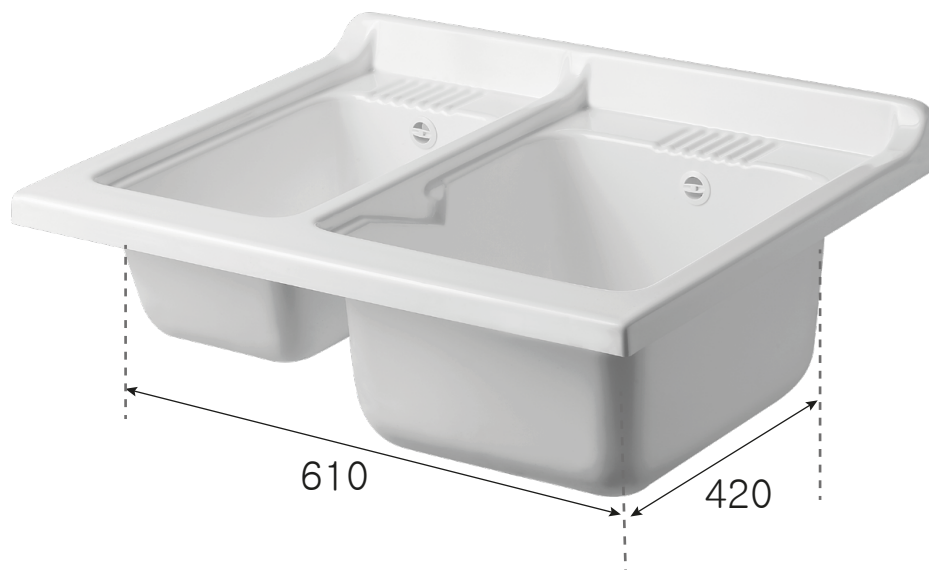
Articoli / Articles	Description
6012	Lavatoio bianco White washtub

White washtub made of waterproof material W100, thickness 18 mm
 Doors with square angles
 Glazed door-handles and glazed feet
 Thermoforming basin
 Washing board made of varnished pine wood
 Trap: self-cleaning, equipped with mounted drain and overflow
 Height of the feet adjustable 15 mm
 Double basin perforable to install the faucet (faucet not included)
 Siphon outlet 35÷45 cm from the floor

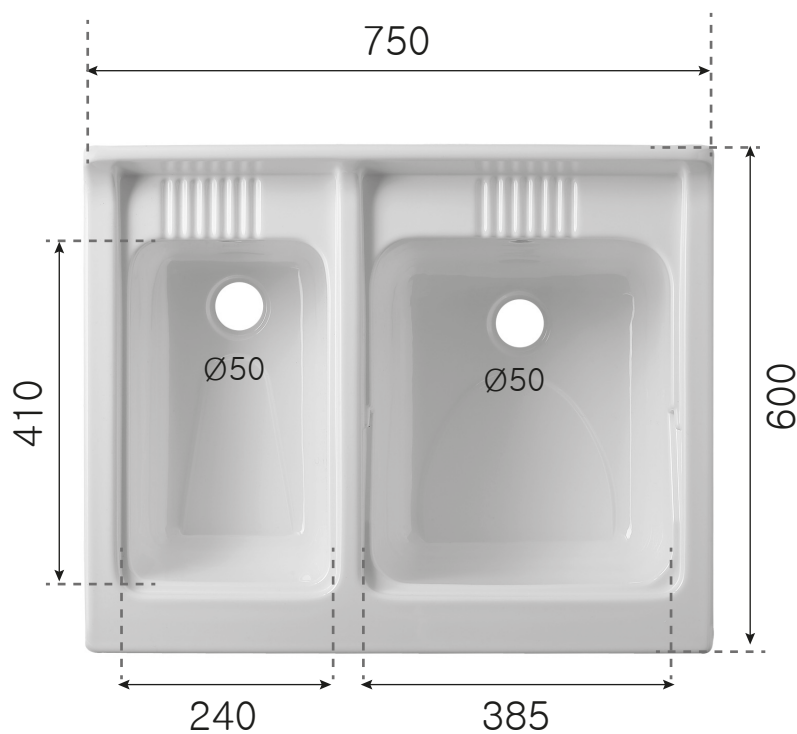


ART. 2024

Bi-vasca in termoformatura 600 x 750 mm – Thermoforming double basin 600 x 750 cm



Dimensioni interne (cm) – Internal dimensions (cm)



Profondità vasca grande
Depth of big basin:
25 cm

Profondità vasca piccola
Depth of small basin:
18 cm



ART. 2040

Asse in pino compatibile con bi-vasca
Washing board made of varnished pine-wood