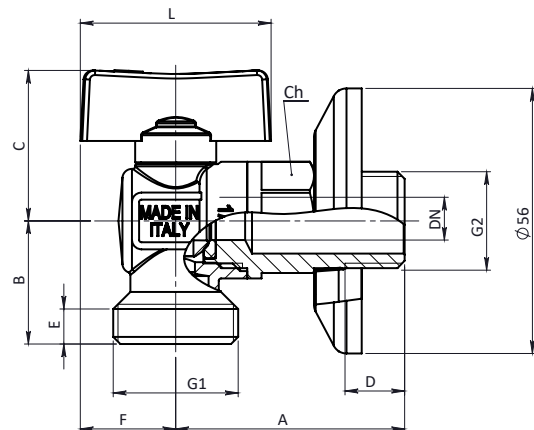
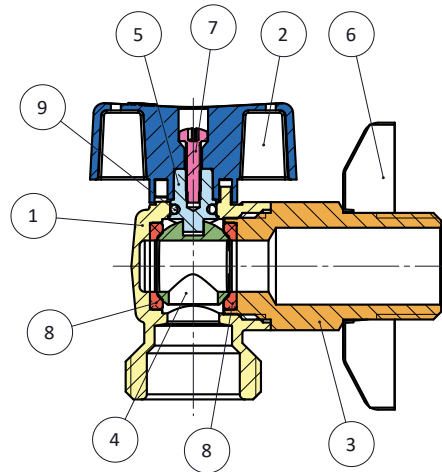


ART. 883 <i>Chrome-plated washing machine ball valve with rosette, Size 1/2"x3/4".</i>	SPECIFICATIONS		APPLICATION	TECHNICAL NOTES
	Series	883	Assembly in rigid pipe system	Item designed, manufactured and tested in accordance to: EN 1074:2004/11:2006 and EN 1074-3:2004 Manufacturing processes managed in accordance to: EN ISO 9001
	Thread ends	Male-Male UNI ISO 228/1	Nominal pressure (PN) in bar: 10	
	Orifice	8 mm	KV: flowrate coefficient m ³ /h	All valves comply with directive 2014/68/UE and are 100% tested with electrically controlled pneumatic seal test.
	Actuator	90° rotation with mechanical stop	Direction of flow: one direction Temperature range: -20 °C / +90°C	
Operator	ABS handle	Use: Water	2 YEARS warranty. Manufactured in brass alloy compliant with EN 12165-CW617N-DW.	



N°	Descrizione	Description	Materials	Treatment	Q.ty
1	Corpo	Body	CW617N	Chrome-Plated	1
2	Farfalla	T-handle	ABS	Chrome-Plated	1
3	Manicotto	End connection	CW617N	Chrome-Plated	1
4	Sfera	Ball	CW617N	Ni+Cr	1
5	Perno	Stem	CW614N		1
6	Rosone	Rosette	AISI 304	Chrome-Plated	1
7	Vite	Screw	Fe	Zinc plated	1
8	Guarnizione sede sfera	Ball seal	PTFE		2
9	O-ring	O-ring	NBR70sh		1

DN	G1	G2	A	B	C	D	E	F	L	Ch	PN
8	1/2"	3/4"	48	26	32	12.5	7.5	20	40	22	10

N° Disegno / Drawing Nr	Misure / Size		UFFICIO TECNICO
883	1/2"x3/4"		