

REMER

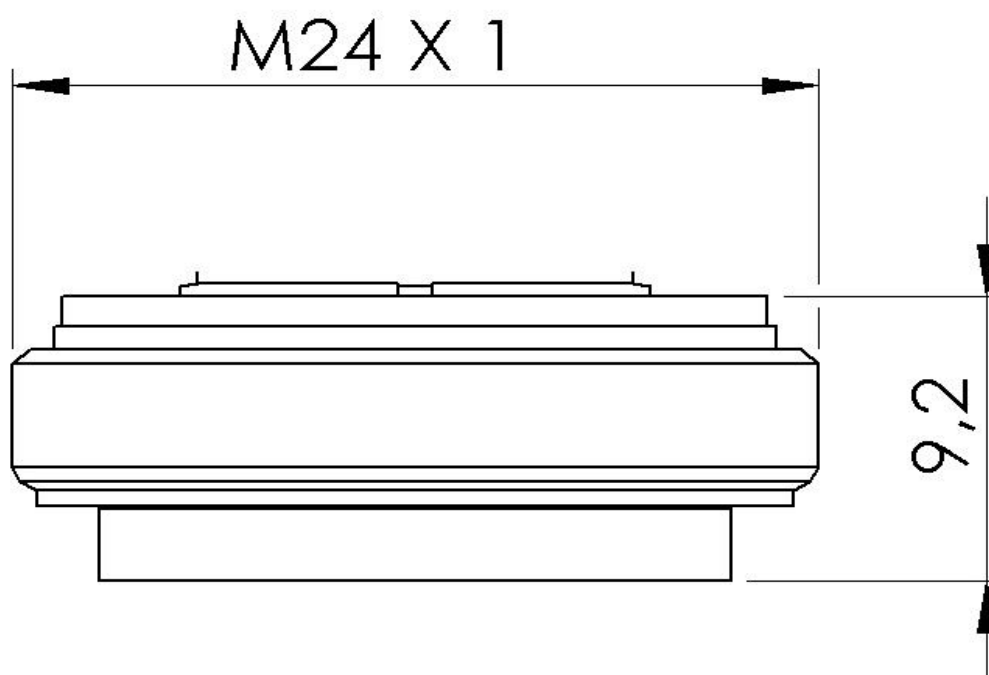
SCHEDA TECNICA

TECHNICAL FEATURES

RUBINETTERIE

ART. COD.

83Z40



CLASSE A 15 l/min - 3 bar