



Codice Dianflex: 242-136

PEDALE

Pedal

Pédale

Descrizione / Description / Description

Miscelatore a pedale istantaneo a parete/pavimento

Instantaneous pedal wall-mounted / floor-mounted mixer

Mitigeur instantané a pédale mural / au plancher

Materiali / Materials / Matériels

Componenti in finitura
Finishing components
Composants en finition

Ottone/Brass/Laiton

Componenti torniti
Machined components
Composants tournés

Ottone/Brass/Laiton

Guarnizioni
Gaskets
Joints

EPDM

Componenti plastica
Plastic components
Composants en
plastique

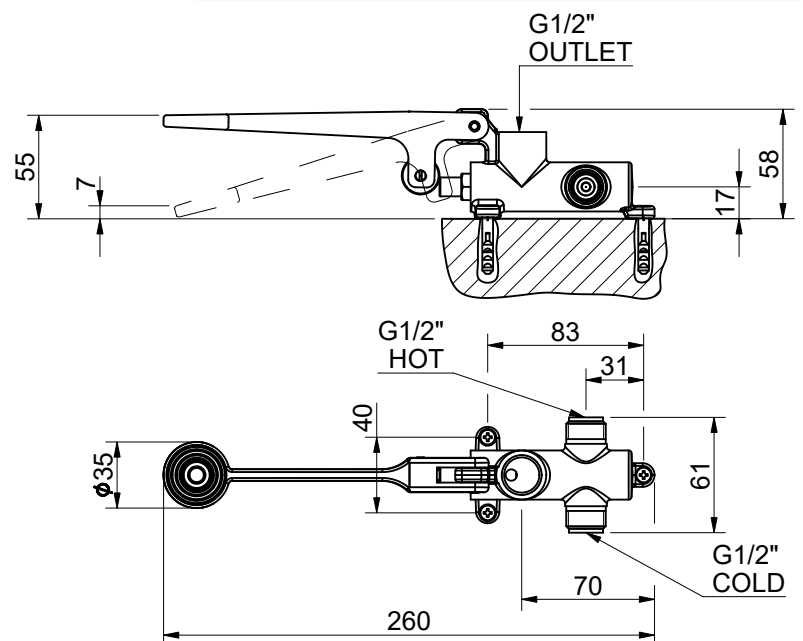
POM

Finitura superficiale
Surface finishing
Finition de la surface

Conforme/According/Conformément EN 248

In accordo alla EN 9227 in merito all'aggressione salina
According to EN 9227 regarding saline aggression
Conformément à la norme EN9227 concernant l'agression saline

Immagine / Picture / Image



Caratteristiche / Features



5 - 70 °C



-



12 l/min

(3 bar)



Min 0.5 - Max 6 (Recommended 2-4) bar



100% Made in Italy



15 Years Warranty



Art.

9011

1901100R00CR00000

3