

Descrizione / Description / Description

Lavabo mix coassiale temp con regolazione tempo

Self-closing coaxial basin mixer with time regulation

Mitigeur lavabo temporisé coaxial avec régulation du temps

Materiali / Materials / Matériels

Componenti in finitura
Finishing components
Composants en finition

Ottone/Brass/Laiton

Componenti torniti
Machined components
Composants tournés

Ottone/Brass/Laiton

Guarnizioni
Gaskets
Joints

EPDM

Componenti plastica
Plastic components
Composants en
plastique

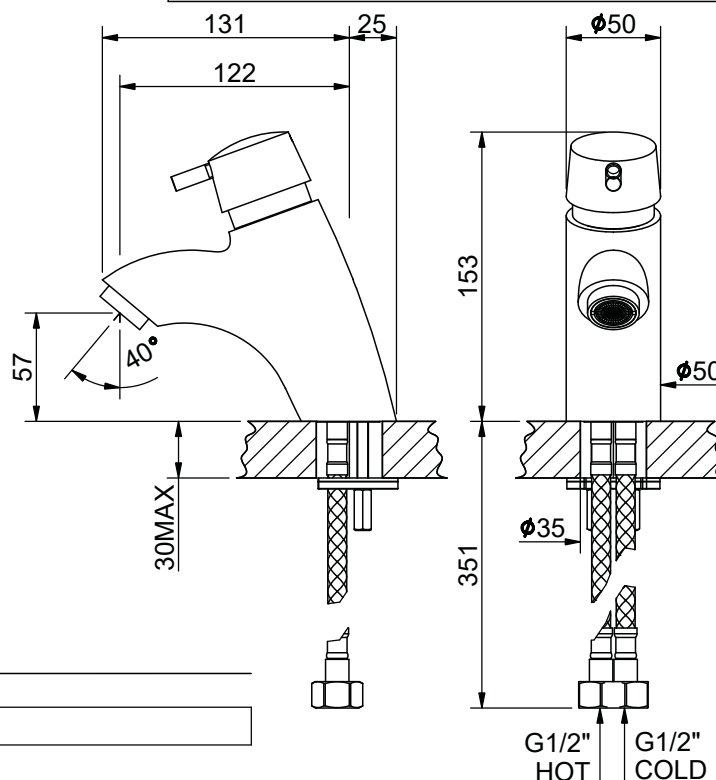
POM

Finitura superficiale
Surface finishing
Finition de la surface





Conforme/According/Conformément EN 248

In accordo alla EN 9227 in merito all'aggressione salina
According to EN 9227 regarding saline aggression
Conformément à la norme EN9227 concernant l'agression saline

Immagine / Picture / Image



Caratteristiche / Features

	5 - 70 °C		-
	10 l/min (3 bar)		
	Min 0.5 - Max 6 (Recommended 2-4) bar		

Art.

2013

1201300R00CR00000

4



100% Made in Italy



15 Years Warranty

