

Descrizione / Description / Description

Miscelatore temporizzato esterno

External self-closing mixer

Mitigeur temporisé extérieur

Materiali / Materials / Matériels

Componenti in finitura
Finishing components
Composants en finition

Ottone/Brass/Laiton

Componenti torniti
Machined components
Composants tournés

Ottone/Brass/Laiton

Guarnizioni
Gaskets
Joints

EPDM

Componenti plastica
Plastic components
Composants en
plastique

POM

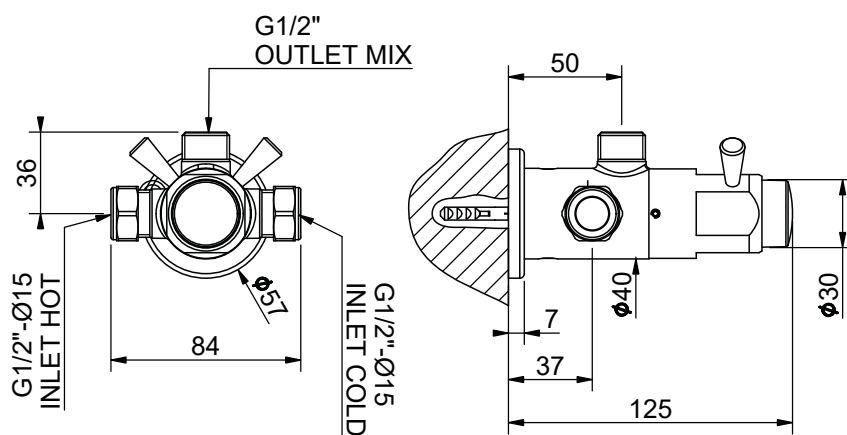
Finitura superficiale
Surface finishing
Finition de la surface

Conforme/According/Conformément EN 248

In accordo alla EN 9227 in merito all'aggressione salina
According to EN 9227 regarding saline aggression
Conformément à la norme EN9227 concernant l'agression saline



Immagine / Picture / Image



Caratteristiche / Features

5 - 70 °C  -

10 l/min (3 bar)

Min 0.5 - Max 6 (Recommended 2-4) bar

Art. **9086**
1908600R00CR00000 | 5



100% Made in Italy



15 Years Warranty

