

Descrizione / Description / Description

Miscelatore a pedale temporizzato a parete/pavimento

Self-closing pedal wall-mounted / floor-mounted mixer

Mitigeur temporisé a pédale mural / au plancher

Materiali / Materials / Matériels

Componenti in finitura
Finishing components
Composants en finition

Ottone/Brass/Laiton

Componenti torniti
Machined components
Composants tournés

Ottone/Brass/Laiton

Guarnizioni
Gaskets
Joints

EPDM

Componenti plastica
Plastic components
Composants en
plastique

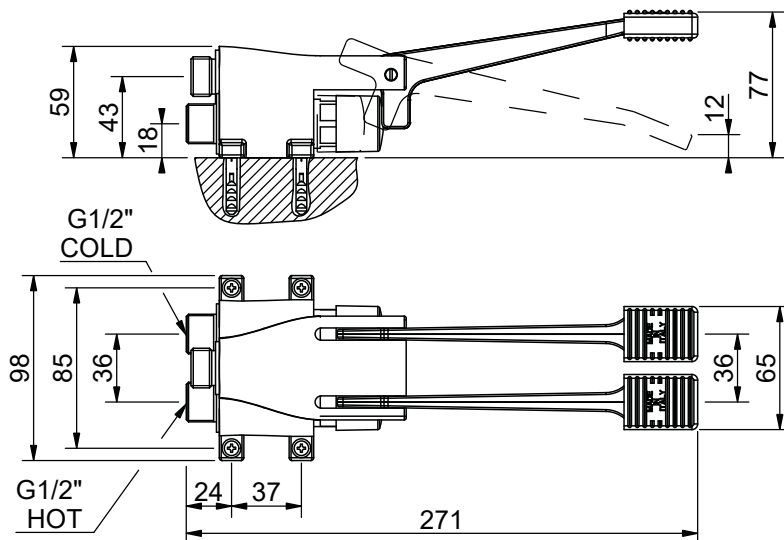
POM

Finitura superficiale
Surface finishing
Finition de la surface

Conforme/According/Conformément EN 248

In accordo alla EN 9227 in merito all'aggressione salina
According to EN 9227 regarding saline aggression
Conformément à la norme EN9227 concernant l'agression saline


Immagine / Picture / Image



Caratteristiche / Features

 5 - 70 °C  -

 12 l/min (3 bar)

 Min 0.5 - Max 6 (Recommended 2-4) bar