



Codice Dianflex: 245-250 FLUSSOMETRO

Flush valve

Robinet de chasse

Descrizione / Description / Description

Flussometro ad incasso per installazione a parete G1" PN10

Concealed wall mounted-flush valve G1" PN10

Robinet de chasse encastrable pour installation mural G1" PN10

Materiali / Materials / Matériels

Componenti in finitura  
Finishing components  
Composants en finition

Ottone/Brass/Laiton

Componenti torniti  
Machined components  
Composants tournés

Ottone/Brass/Laiton

Guarnizioni  
Gaskets  
Joints

EPDM

Componenti plastica  
Plastic components  
Composants en plastique

POM

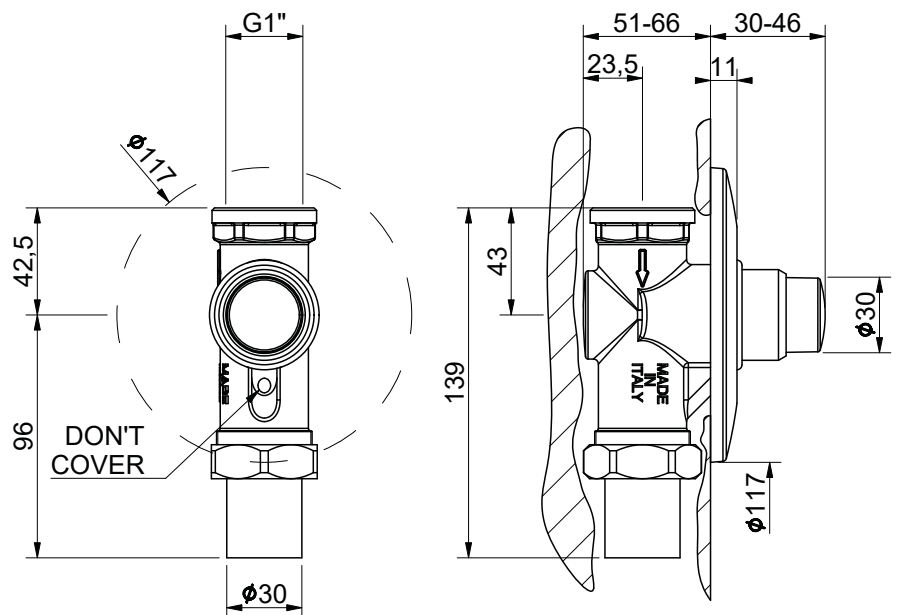
Finitura superficiale  
Surface finishing  
Finition de la surface

Conforme/According/Conformément EN 248

In accordo alla EN 9227 in merito all'aggressione salina  
According to EN 9227 regarding saline aggression  
Conformément à la norme EN9227 concernant l'agression saline



Immagine / Picture / Image



Caratteristiche / Features



5 - 70 °C



-



1 l/s

(3 bar)



Min 0.5 - Max 6 (Recommended 2-4) bar



100% Made in Italy



5 Years Warranty



Art.

9455 1"

1945501R00CR00000

3