



Codice Dianflex: 245-301

BEVERINO
Drinking Fountain
Fontaine À Eau

Descrizione / Description / Description

Beverino getto parabolico 9053 3/8"

Drinking fountain with parabolic jet 9053 3/8"

Fontaine à eau avec jet parabolique 9053 3/8"

Materiali / Materials / Matériels

Componenti in finitura
Finishing components
Composants en finision

Ottone/Brass/Laiton

Componenti torniti
Machined components
Composants tournés

Ottone/Brass/Laiton

Guarnizioni
Gaskets
Joints

EPDM

Componenti plastica
Plastic components
Composants en
plastique

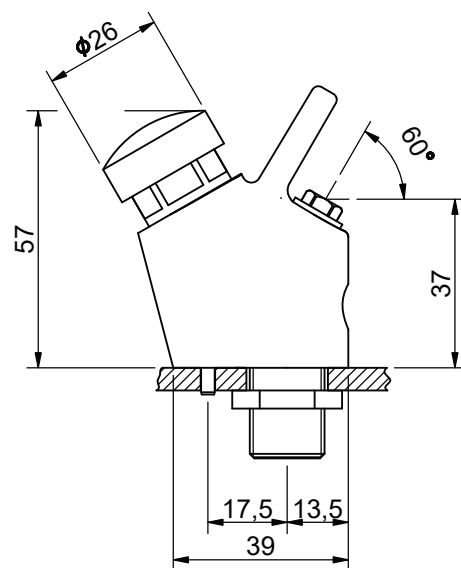
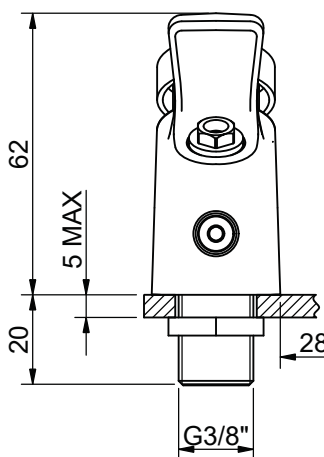
POM

Finitura superficiale
Surface finishing
Finition de la surface

Conforme/According/Conformément EN 248

In accordo alla EN 9227 in merito all'aggressione salina
According to EN 9227 regarding saline aggression
Conformément à la norme EN9227 concernant l'agression saline

Immagine / Picture / Image



Caratteristiche / Features

5 - 70 °C

-

4 l/min (3 bar)

Min 0.5 - Max 6 (Recommended 2-4) bar



100% Made in Italy



15 Years Warranty



Art. 9053 3/8"

1905300R00CR00000

3