



Codice Dianflex: 245-305

LEVA  
Lever  
Lever

Descrizione / Description / Description

Rubinetto temporizzato con comando a ginocchio

Self closing tap knee control

Robinet tempore avec controle a genou

Materiali / Materials / Matériels

Componenti in finitura  
Finishing components  
Composants en finition

Ottone/Brass/Laiton

Componenti torniti  
Machined components  
Composants tournés

Ottone/Brass/Laiton

Guarnizioni  
Gaskets  
Joints

EPDM

Componenti plastica  
Plastic components  
Composants en  
plastique

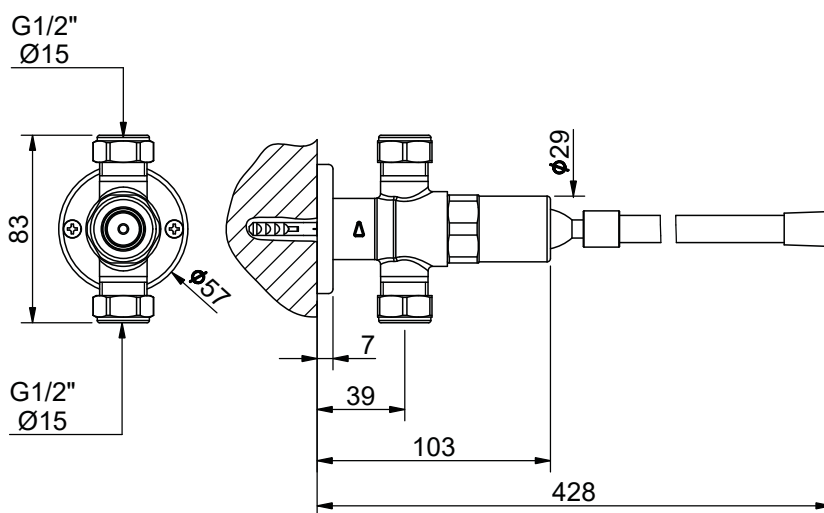
POM

Finitura superficiale  
Surface finishing  
Finition de la surface

Conforme/According/Conformément EN 248

In accordo alla EN 9227 in merito all'aggressione salina  
According to EN 9227 regarding saline aggression  
Conformément à la norme EN9227 concernant l'agression saline

Immagine / Picture / Image



Caratteristiche / Features

5 - 70 °C

15 l/min (3 bar)

Min 0.5 - Max 6 (Recommended 2-4) bar

Art. 9100  
1910000R00CR00000 1

100% Made in Italy 15 Years Warranty

