

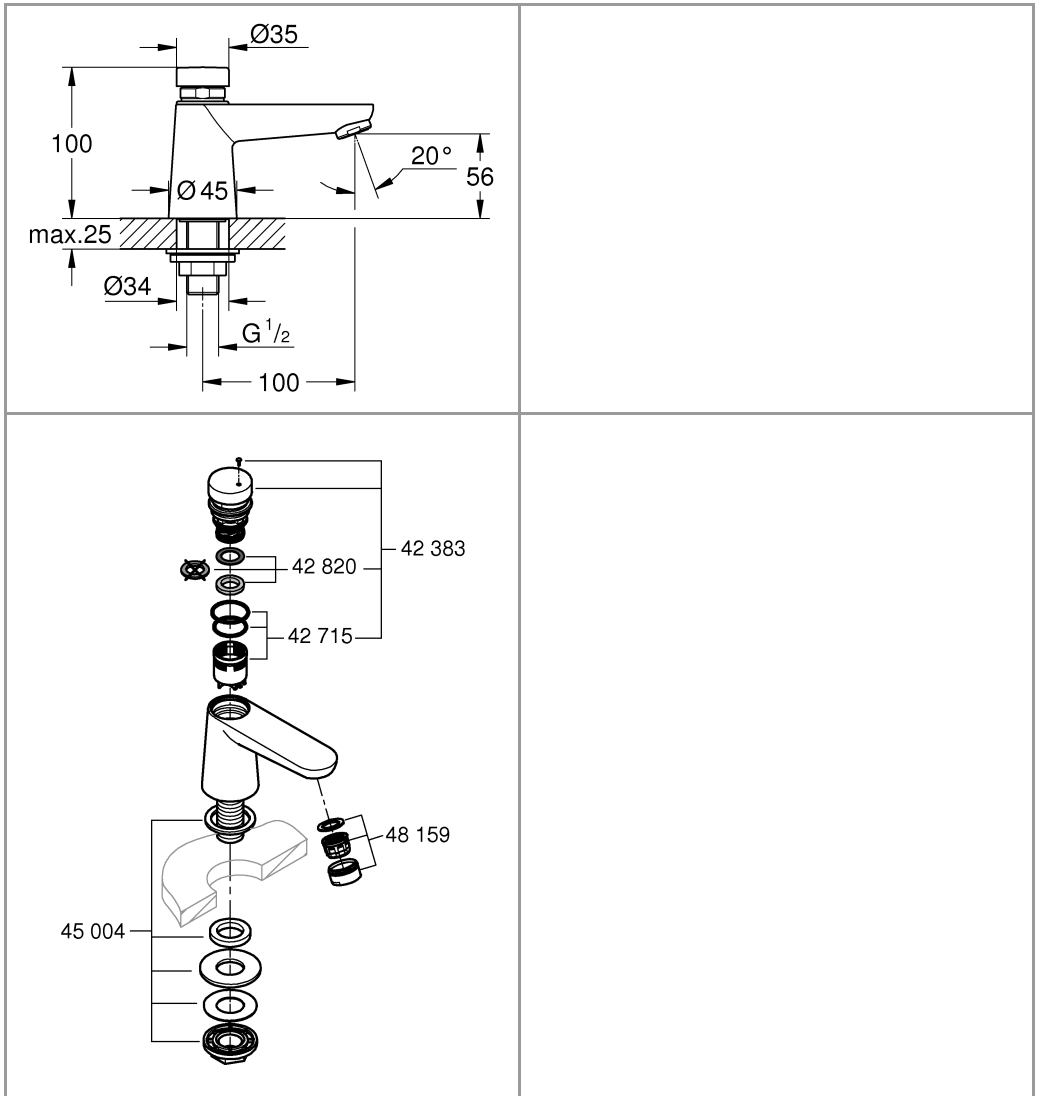
Codice Dianflex: 273-H36265

DESIGN + ENGINEERING
GROHE GERMANY

Pure Freude
an Wasser

GROHE

Rev. Dianflex: 01/2025



DIN
1988
DIN
EN
806

