



**FRABO**

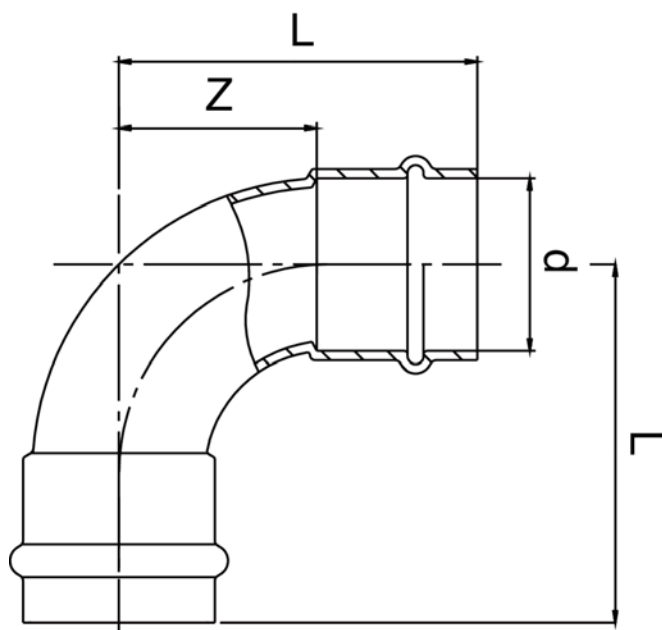
Codice Dianflex: 302-FRS9002

**frabo**  
**press**  
KOMBI

**BREVETTATO**



## Specifiche tecniche



D	BAG	MASTER BOX	CODICE	L	Z
12	10	250	RS9002012012000	33	15
15	10	150	RS9002015015000	40	18
18	10	100	RS9002018018000	45	22
22	10	60	RS9002022022000	47	23
28	5	40	RS9002028028000	59	34
35	5	30	RS9002035035000	68	42

## Applicazioni



DRINKING  
WATER



HEATING



HVAC



GAS



COMPRESSED  
AIR



FIREFIGHTING