



FRABO

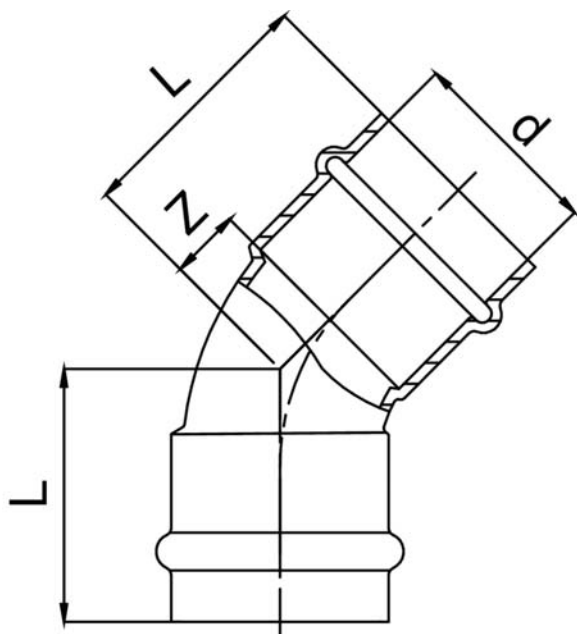
Codice Dianflex: 302-FRS9041

frabo
press
KOMBI

BREVETTATO



Specifiche tecniche



D	BAG	MASTER BOX	CODICE	L	Z
12	10	250	RS9041012012000	25	7
18	10	150	RS9041018018000	31	8
22	10	80	RS9041022022000	34	10
28	5	60	RS9041028028000	38	13
35	5	40	RS9041035035000	43	17

Applicazioni



DRINKING
WATER



HEATING



HVAC



GAS



COMPRESSED
AIR



FIREFIGHTING