

Codice Dianflex: 334-F369



MALE TRANSITION ADAPTOR (BRASS NOT COATED)

1350/00-001

PE100, SDR 11

PE100, SDR 11, Male Transition Adaptor (Brass not coated) for gas, water, mining and irrigation applications.

All fittings are manufactured in virgin PE100 black polyethylene.

Transition fittings are a quick and easy way to connect various types of metallic pipes to PE pipe systems. A simple but effective solution for house connections.

Product description:

Male Transition Adaptor (Brass not coated). For gas, water, mining and irrigation applications. PE100, SDR 11, Grade of Brass - CW617N or CW511L, BSPT Thread, Water PN16, Gas 10 Bar. Temperature range on transition fittings -10°C to +40°C (Welding temperature range -10°C to +40°C using Fusamatic electrofusion systems. For butt fusion jointing +5°C to +40°C).

Standards:

The Fusion Group of Companies have numerous local and international product approvals as well as ISO 9001 and ISO 29001 quality management system approvals.

This range of transition fittings are 3rd party certified against the product standards listed (other product certificates are available upon request). Note: Regional variations may apply to some of the standards referenced, please contact us for further details.

- 3rd party approved to EN 12201-3
- 3rd party approved to EN 1555-3

Features:

- Fusion Branded
- PE100 Black
- Water PN16 / Gas 10 Bar (Depending on PE pipe welded to and any local pipeline pressure regulations)
- SDR 11
- Grade of Brass - CW617N / CW511L
- BSPT Thread
- Allows transition between metric PE pipes to threaded imperial connections

Accessories:

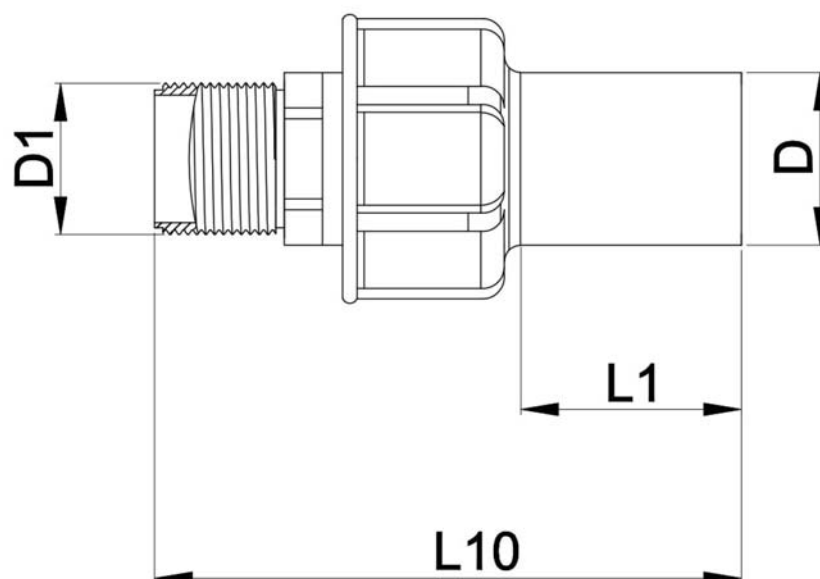
- Electrofusion Fittings
- Electrofusion Control Box
- Pipe Cutters
- Pipe Scrapers
- Pipe Alignment and Rerounding Clamps
- Generators
- Fusion Assist



MALE TRANSITION ADAPTOR (BRASS NOT COATED)

1350/00-001

PE100, SDR 11

**Reference nos. and dimensions:**

Ref. No.	Fitting Size mm	D mm	D1 mm	L10 mm	L1 mm	Theoretical weight / kg
AX67101	25X0.75M	25	3/4"	99	40	0.12
AX67102	32X1M	32	1"	110	44	0.18
AX67103	40X1.25M	40	1-1/4"	121	49	0.27
AX67104	50X1.5M	50	1-1/2"	134	54	0.37
AX67105	63X2M	63	2"	150	63	0.59

Comments:

We reserve the right to supply non-Fusion branded transition fittings and alternative brass grades depending upon product availability.

Check that both pipe(s) and fitting to be joined are compatible, only compatible materials should be joined together. Check PN and SDR rating marked on fitting and compare with that of the pipe. If in doubt, seek advice from the manufacturer. Correct installation procedures should be followed.