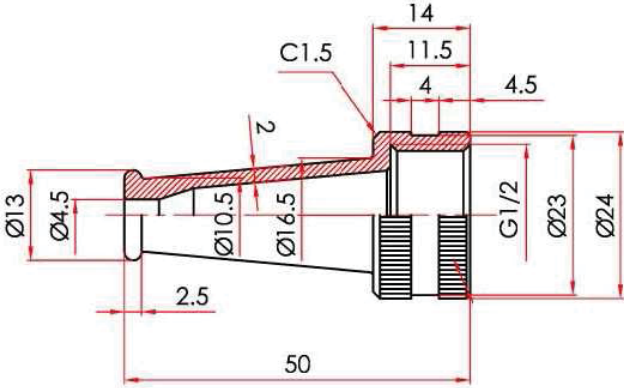


Codice Dianflex: 354-113-20



	ART.102CAP
	1/2