

REMER

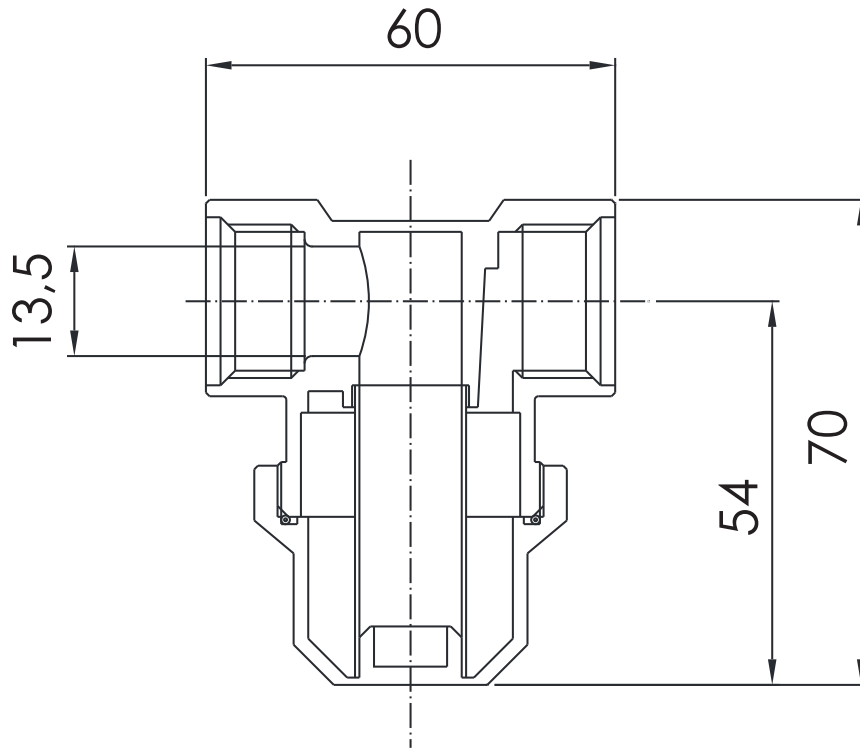
SCHEDA TECNICA

TECHNICAL FEATURES

RUBINETTERIE

ART. COD.

390FF 1/2"



ENTRATA
INLET
CONNECTION



USCITA
OUTLET
CONNECTION



TAPPO CON FILTRO INTERNO
CAP WITH INSIDE FILTER



FILTRO
FILTER
400 µm

MATERIALI / MATERIALS

OTTONE NICHELATO / NICKEL PLATED BRASS

ACCIAIO INOX / STAINLESS STEEL