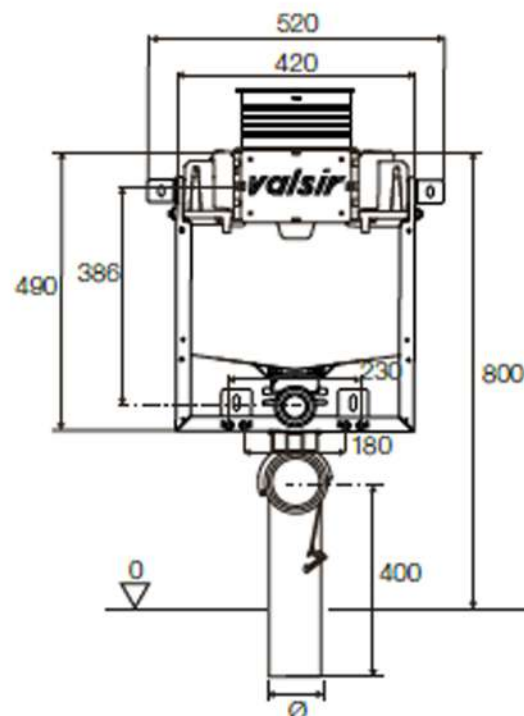


FIXSYSTEM - H 800

S120



- **Tipologia WC:** sospeso
- **Tipologia installazione:** mattoni
- **Volume scarico:** 6/3 (pre-regolato), 4,5/3, 4/2 l
- **Posizione placca:** frontale o superiore
- **Materiale fissaggio:** incluso
- **Kit tubi pneumatico remoto:** non incluso

- **WC type:** wall-hung pans
- **Installation:** masonry walls
- **Flush volume:** 6/3 (standard setting), 4.5/3, 4/2 l
- **Plate position:** front or top
- **Fixing material:** included
- **Pneumatic hoses kit for remote installation:** not included

- **Typologie WC :** suspendu
- **Typologie installation :** briques
- **Volume chasse d'eau :** 6/3 (pré-réglé), 4,5/3, 4/2 l
- **Emplacement command :** frontal or supérieur
- **Matériel de fixation :** inclus
- **Kit tuyaux pneumatique à distance :** non inclus

COD.	Mod.	Rivestimento Covering - Revêtement	SxLxH	Curva Bend - Coude	
VS0853145	mec	foderina - lining - gaine	120x520x800	Ø 90 - L 400	1
VS0853175	pneu	foderina - lining - gaine	120x520x800	Ø 90 - L 400	1