

# REMER

SCHEDA TECNICA

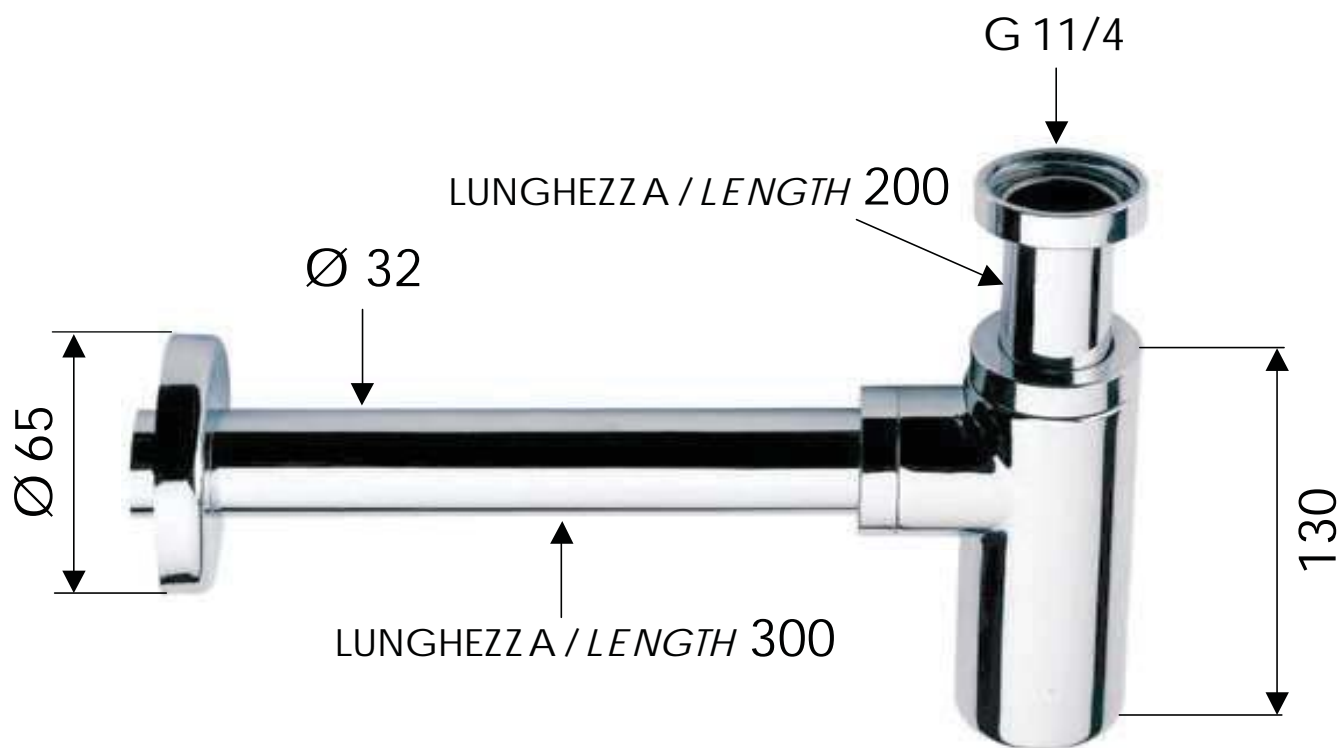
TECHNICAL FEATURES

RUBINETTERIE

ART. COD.

958L

Codice Dianflex: 370-2053



## MATERIALI / MATERIALS

OTTONE CROMATO / CHROME PLATED BRASS

## CROMATURA / CHROME PLATING

UNI EN 248