

REMER

SCHEDA TECNICA

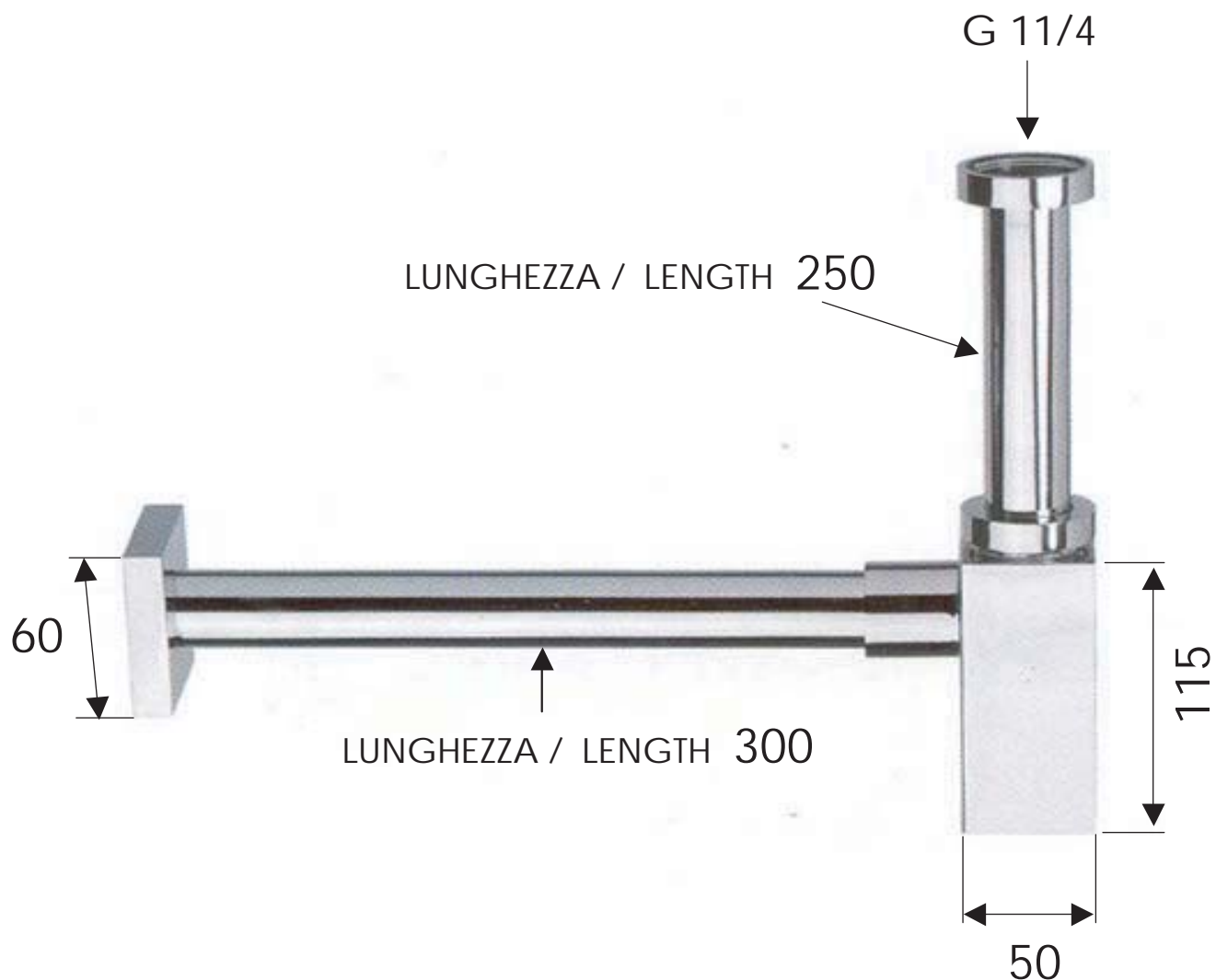
TECHNICAL FEATURES

RUBINETTERIE

ART. COD.

960

Codice Dianflex: 370-2054



MATERIALI / MATERIALS

OTTONE CROMATO / CHROME PLATED BRASS

CROMATURA / CHROME PLATING

UNI EN 248