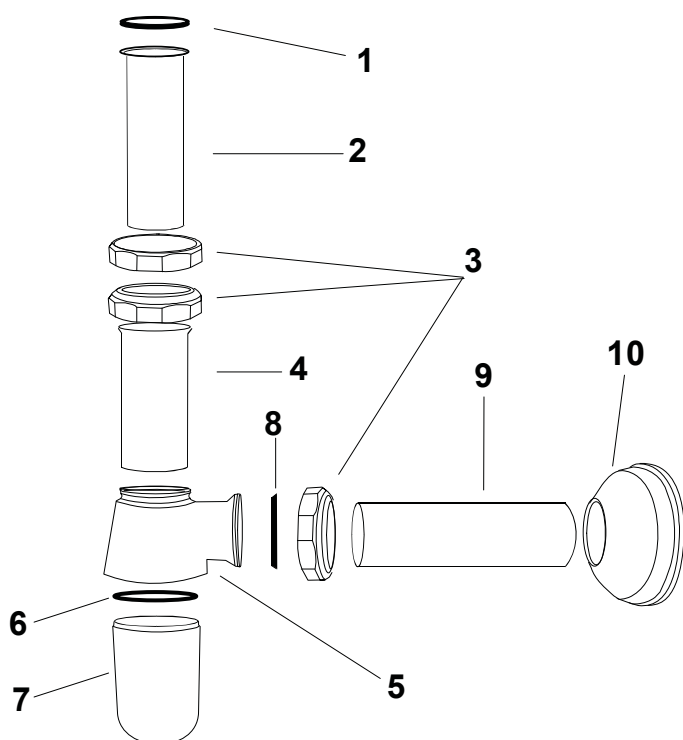


Sifone tipo bottiglia 1.1/4" - Bottle Trap 1.1/4"
Art. 403



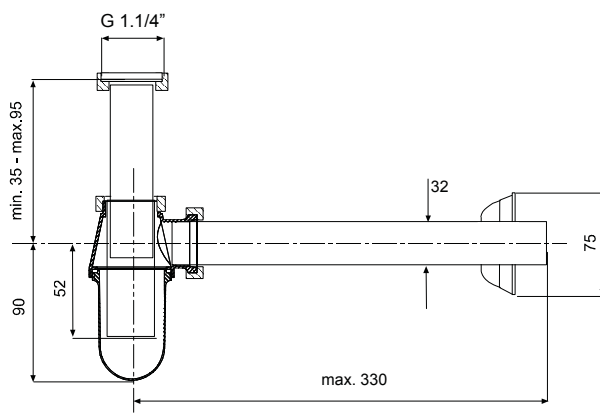
SCHEDA TECNICA

- 1 Guarnizione piatta
- 2 Tubo entrata cromato
- 3 Dadi cromati 1.1/4"
- 4 Tubetto in polipropilene
- 5 Corpo sifone cromato
- 6 Guarnizione
- 7 Bicchiere svitabile
- 8 Guarnizione conica in NBR
- 9 Tubo scarico cromato
- 10 Rosone tipo alto

TECHNICAL SHEET

- 1 Flat washer
- 2 Chromed inlet tube
- 3 Chromed nuts 1.1/4"
- 4 Polypropylene tube
- 5 Body trap
- 6 Washer
- 7 Detachable bowl
- 8 Conic washer in NBR
- 9 Chromed outlet tube
- 10 Rosette large type

Measurements of Art. 403 with inlet tube 75mm and outlet tube 300mm



Manufactured according to UNI EN 274-1:2002