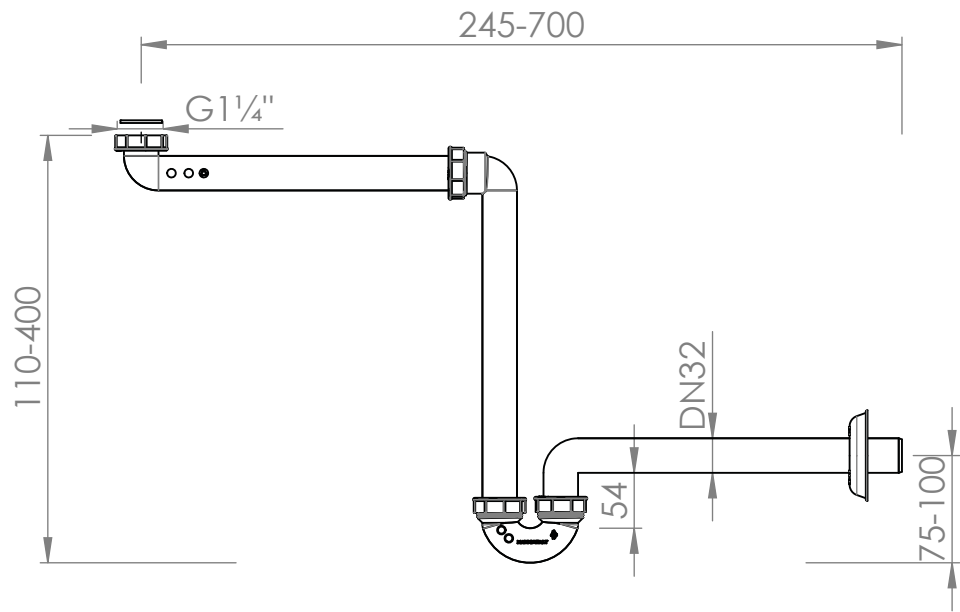


Codice Dianflex: 371-3248



REV.	REVISION DESCRIPTION	DRAFTSMAN	DATA	APPROVED
716-32		CUSTOMER CODE	VOLUME (cm ³) / PESO (g)	
			UNITS	MOULD CODE
			<i>mm</i>	
UNI EN ISO 228 UNI EN 274 UNI ISO 22768-mK		DATE	DRAWING TYPE	
	Drawn	16/11/2020	L.B. Plast 043	Technical
	Approved	18/11/2020		SCALE 1:7
	MATERIAL	TREATMENTS	COLOR / MATERIAL FINISH	A4
	ITEM DESCRIPTION SIFONE AUTOPULENTE SALVASPAZIO ENTRATA G1¼" USCITA Ø32			