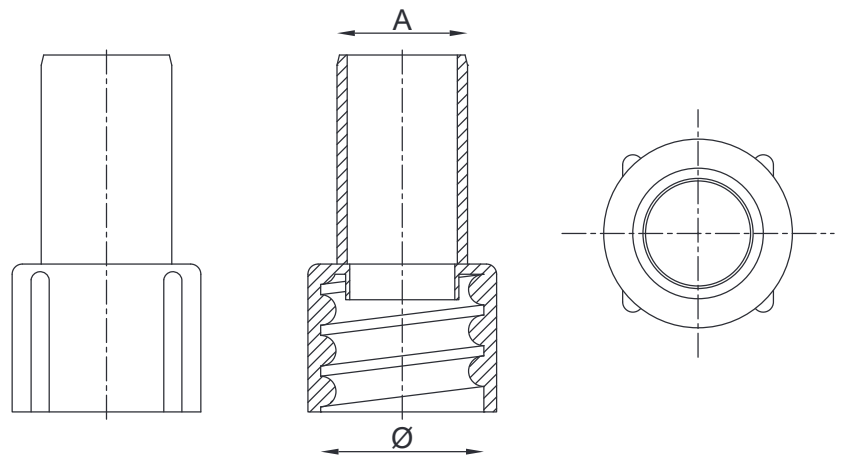



Codice Dianflex: 371-364



Imbuto in ABS per tubo spiralato
ABS terminal end for spiral hose

Art.	A	B	
1011000001	26 mm	32 mm	50
1011000002	32 mm	32 mm	50
1011000003	40 mm	32 mm	50
1011000005	32 mm	40 mm	50
1011000006	40 mm	40 mm	50
1011000007	50 mm	40 mm	50