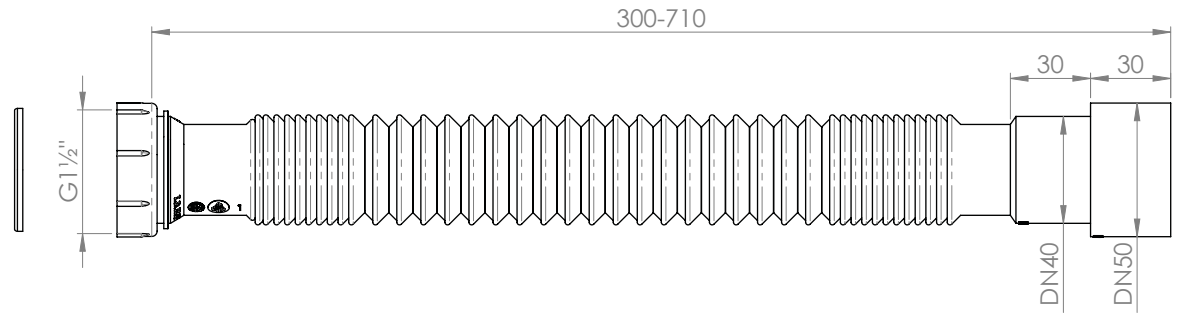
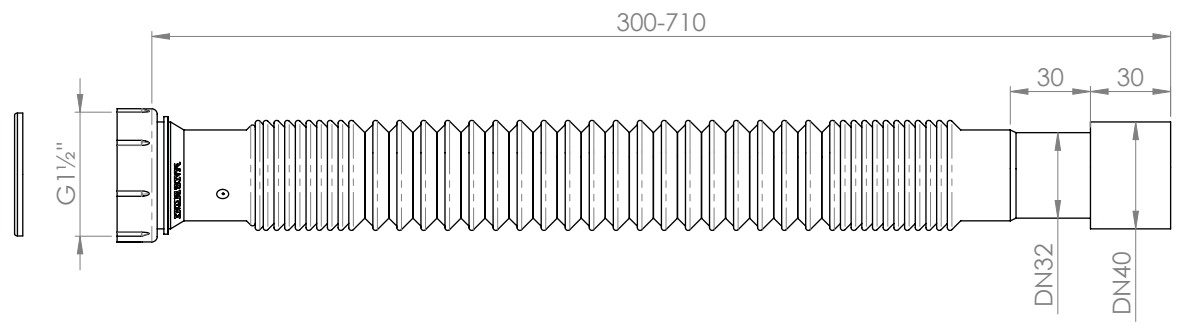


Codice Dianflex: 371-M1224

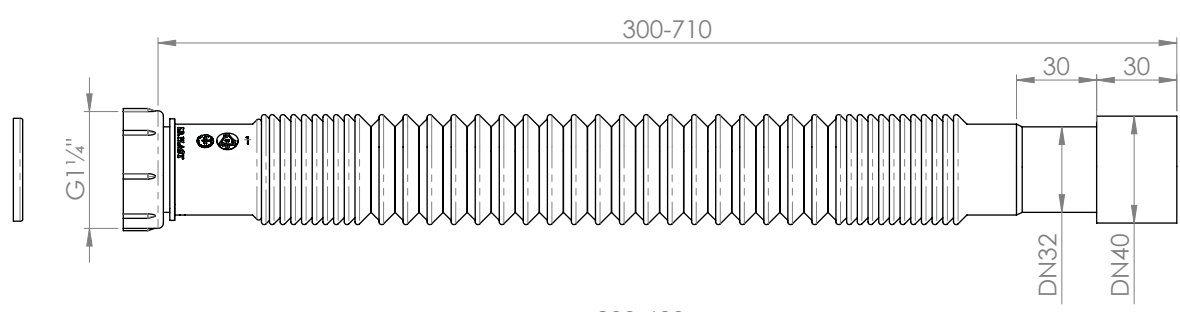
D222-M



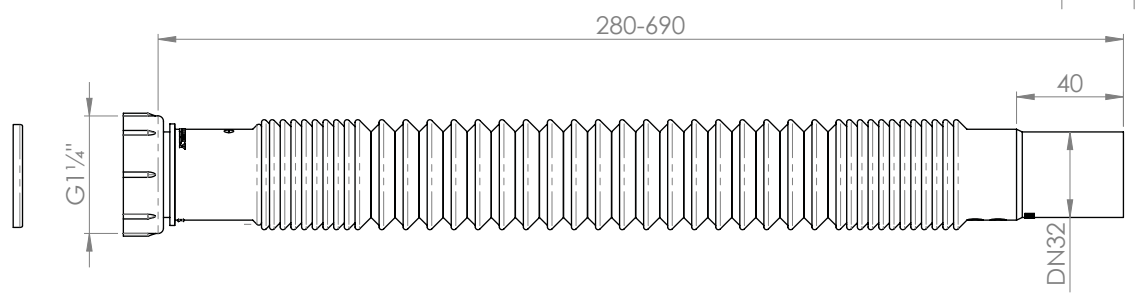
D226-M



D223-M



D224-M



REV.	REVISION DESCRIPTION	DRAFTSMAN	DATE
D22X-M		CUSTOMER CODE	VOLUME(cm ³) 146.86
		UNITS mm	MOULD CODE
DRAWN	DATE 16/09/2024	NAME	DRAWING TYPE Technical
APPROVED			SCALE 1:2
MATERIAL PP	TREATMENTS	COLOR/MATERIAL FINISH	A3
ITEM DESCRIPTION			