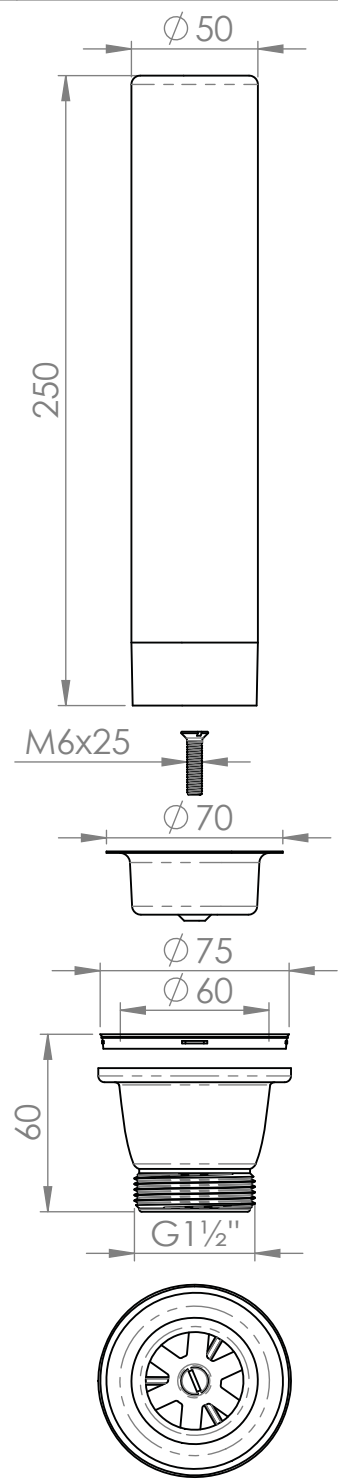
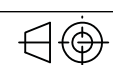


Codice Dianflex: 371-M3092



REV.	REVISION DESCRIPTION	DRAFTSMAN	DATA	APPROVED
D50985		CUSTOMER CODE		VOLUME (cm ³) / PESO (g)
UNI EN ISO 228 UNI EN 274 UNI ISO 22768-mK		DATE	NAME	DRAWING TYPE
Drawn Approved		19/11/2020		Technical
		MATERIAL	TREATMENTS	COLOR / MATERIAL FINISH
				A4
ITEM DESCRIPTION				
PILETTA Ø70 CON TUBO INOX SATINATO IN FUNZIONE DI TP				