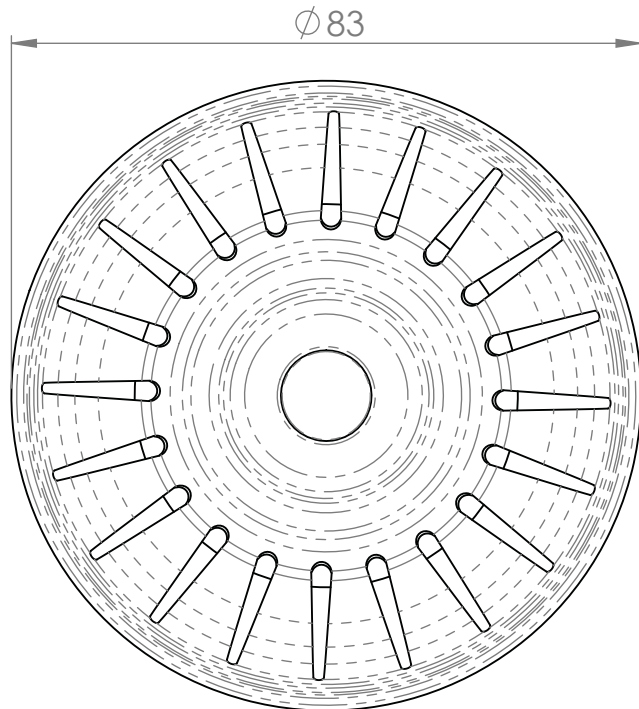
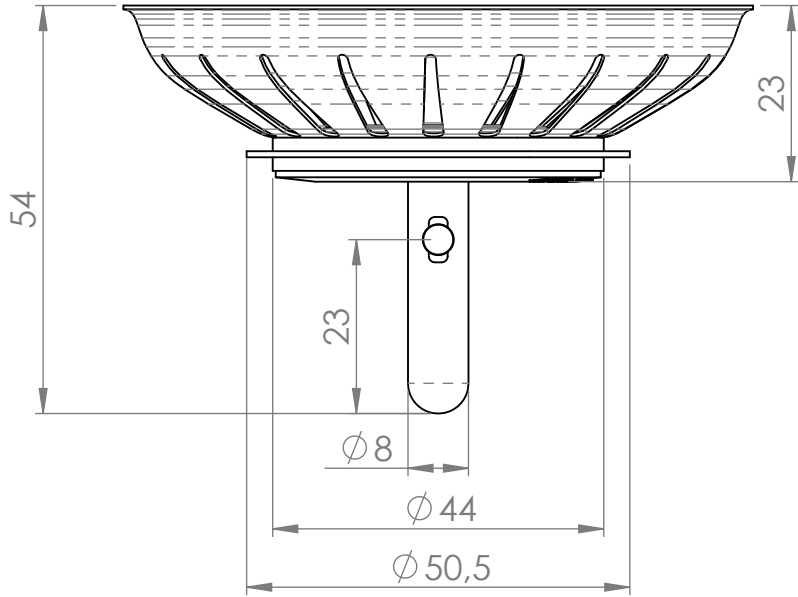


Codice Dianflex: 371-M3093



REV.	REVISION DESCRIPTION	DRAFTSMAN	DATA	APPROVED
		CUSTOMER CODE	VOLUME (cm <sup>3</sup> ) / PESO (g)	
<b><i>DC1158</i></b>				
			UNITS	MOULD CODE
			<i>mm</i>	
		DATE	NAME	DRAWING TYPE
Drawn		18/09/2024		<i>Technical</i>
Approved				<b>1:1</b>
	MATERIAL	TREATMENTS	COLOR / MATERIAL FINISH	
	AISI 304, TPE SEBS 60, NICHEL BRASS, PA66			
ITEM DESCRIPTION				
TAPPO CESTELLO CLASSIC LUX, SFERA H12				
STRAINER BASKET CLASSIC LUX, H12 SPHERE				



**A4**