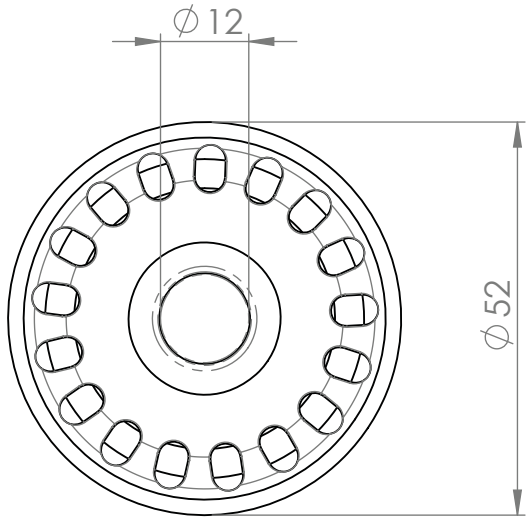
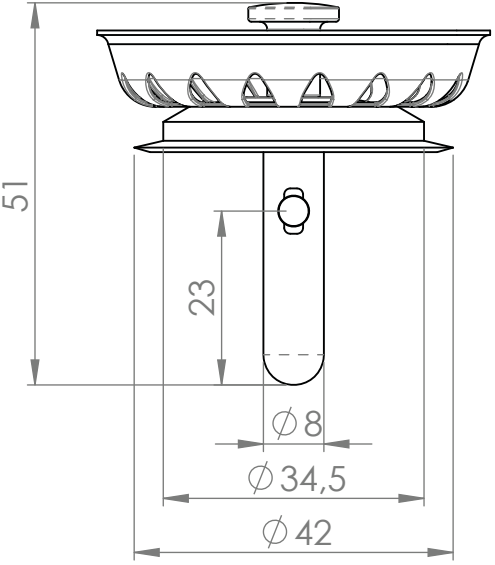
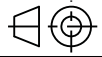


# Codice Dianflex: 371-M3094



EMISIONE		059			
REV.	REVISION DESCRIPTION	DRAFTSMAN	DATA	APPROVED	
DC1238		CUSTOMER CODE		VOLUME (cm <sup>3</sup> ) / PESO (g)	
				UNITS	MOULD CODE
				mm	
		DATE	NAME	DRAWING TYPE	
		18/09/2024		Technical	
				1:1	
		MATERIAL	TREATMENTS	COLOR / MATERIAL FINISH	
		AISI 304, OTTONE NICHELATO PA 66, TPE SEBS 60A		A4	
		ITEM DESCRIPTION			
		TAPPO CESTELLO PER GATTINARA Ø70 STRAINER BASKET Ø52			