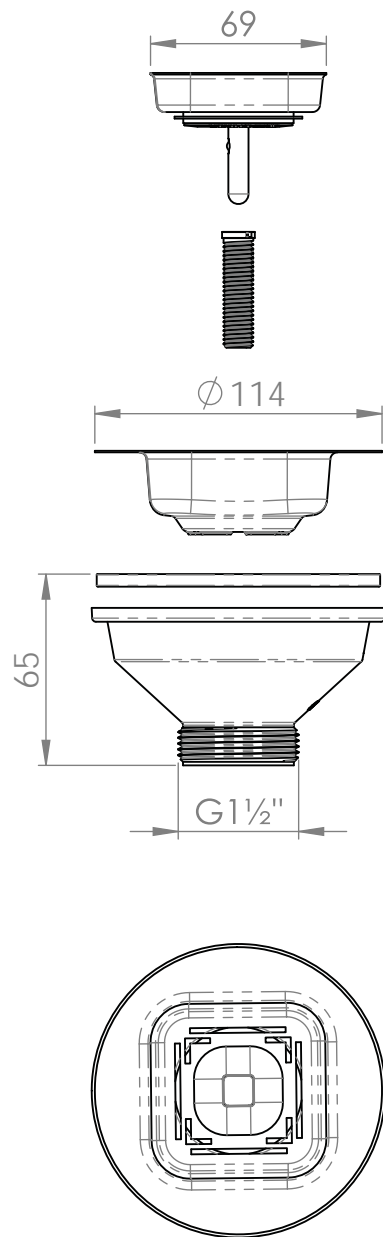


Codice Dianflex: 371-M3100



REV.	REVISION DESCRIPTION	DRAFTSMAN	DATA	APPROVED
		CUSTOMER CODE		VOLUME (cm ³) / PESO (g)
		<i>550-46-M</i>		UNITS <i>mm</i>
				MOULD CODE
UNI EN ISO 228 UNI ISO 22768-mK UNI EN 274		DATE	NAME	DRAWING TYPE
		Drawn	12/10/2020	<i>Technical</i>
		Approved	27/10/2020	SCALE
				<i>1:5</i>
		MATERIAL	TREATMENTS	COLOR / MATERIAL FINISH
		ITEM DESCRIPTION		
		<i>PILETTA Ø114 MODELLO MULTI STYLE LUCIDA</i>		



A4