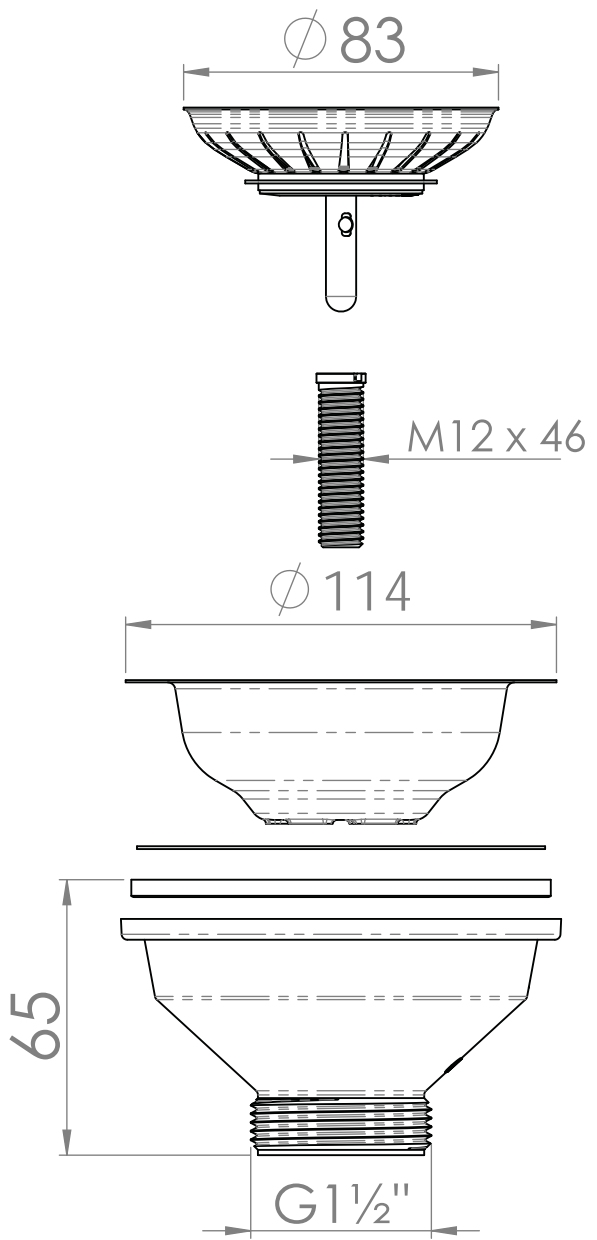


Codice Dianflex: 371-M3102



REV.	REVISION DESCRIPTION	DRAFTSMAN	DATA	APPROVED
DS550		CUSTOMER CODE	VOLUME (cm ³) / PESO (g)	
			UNITS 33	MOULD CODE
ÈÒ× ÛÒ ×ÌÑ ïè ÈÒ× ×ÌÑ ïèèèò°Ò ÈÒ× ÛÒ ïèì		DATE	NAME	DRAWING TYPE
		30/07/2020		Technical
		Approved		SCALE
				1:5
		MATERIAL	TREATMENTS	COLOR / MATERIAL FINISH
				A4
ITEM DESCRIPTION				
PILETTA Ø114 CLASSIC SENZA TP				
Ø114 BASKET WASTE WITHOUT OVERFLOW				