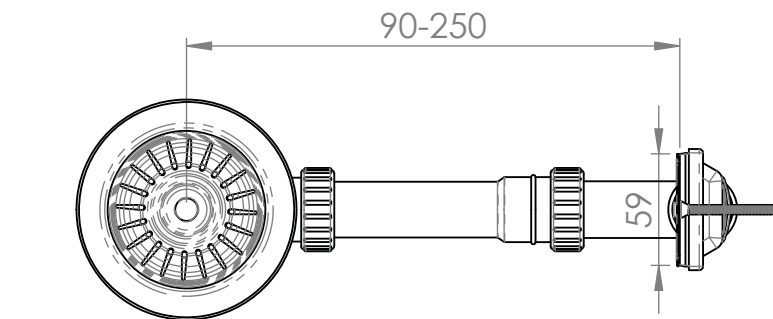
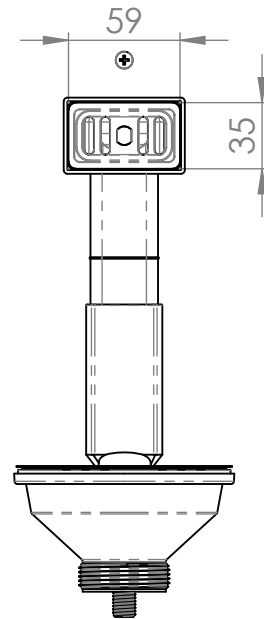
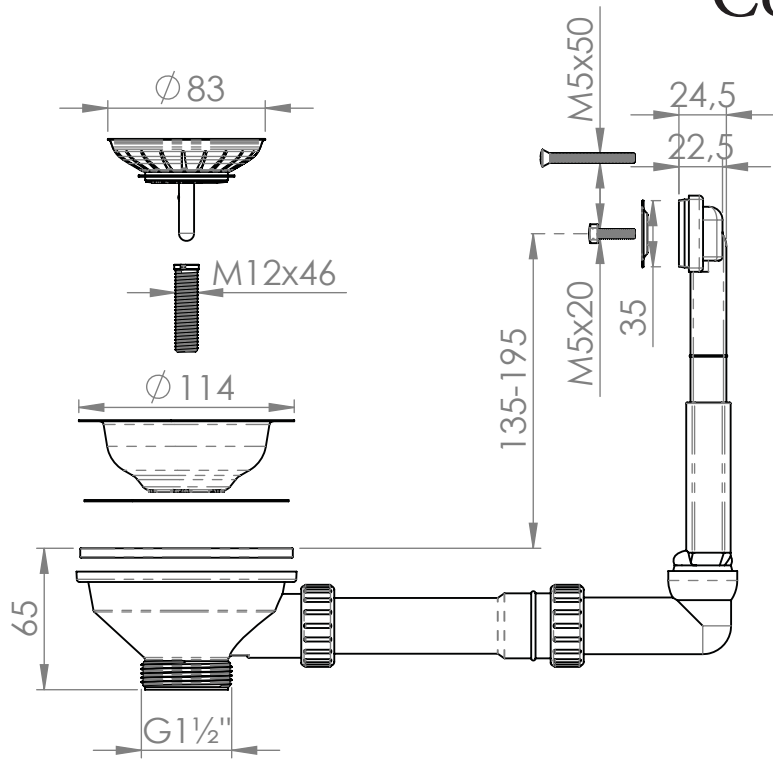


Codice Dianflex: 371-M3104



REV.	REVISION DESCRIPTION	DRAFTSMAN	DATA	APPROVED
			VOLUME (cm ³) / PESO (g)	
			UNITS	MOULD CODE
			mm	
			DRAWING TYPE	
				Technical
			SCALE	1:5
			MATERIAL	TREATMENTS
				COLOR / MATERIAL FINISH
				A4
			ITEM DESCRIPTION	
			PILETTA Ø114, TROPPO PIENO RETTANGOLARE SNODATO, TAPPO CESTELLO CLASSIC	