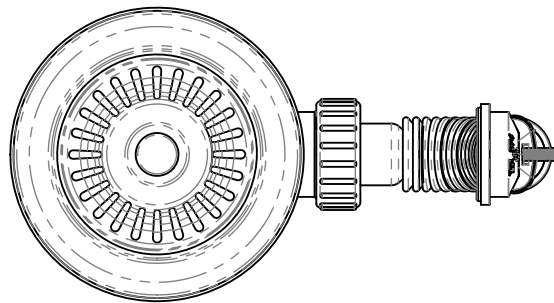
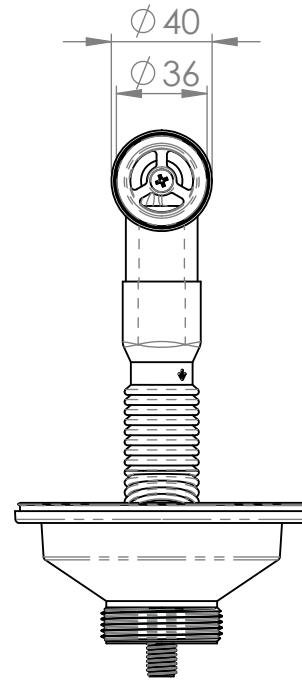
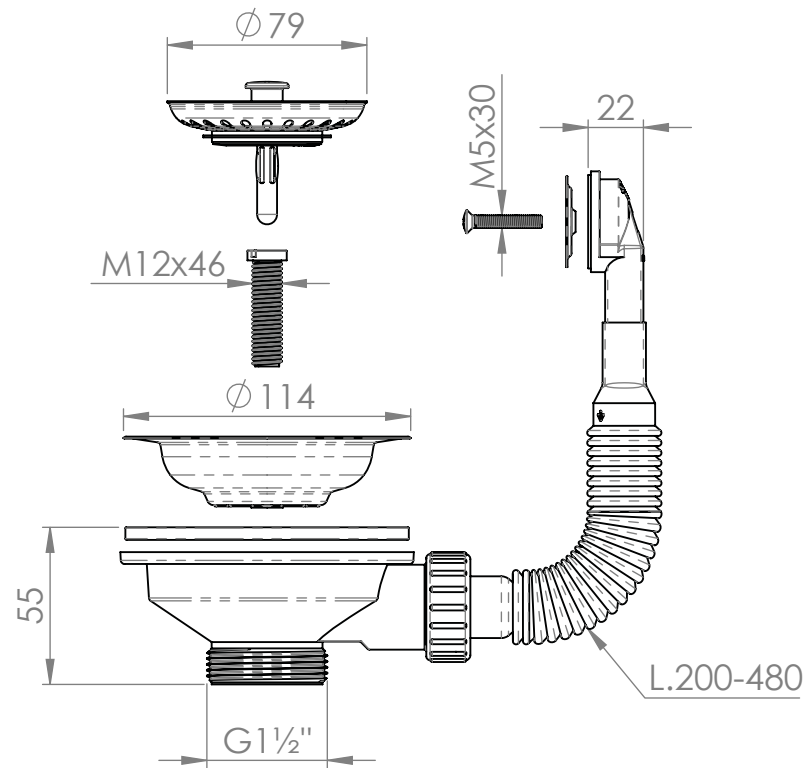


Codice Dianflex: 371-M3108



| REV. | REVISION DESCRIPTION | DRAFTSMAN | DATA | APPROVED |
|---|----------------------|--|------------|--------------------------------------|
| | | | | |
| | | | | |
| | | | | |
| | | | | |
| <p><i>D670-RE</i></p> | | CUSTOMER CODE | | VOLUME (cm ³) / PESO (g) |
| <p>UNI EN ISO 228 UNI ISO 22768-mk UNI EN 274</p> | | DATE | NAME | DRAWING TYPE |
| <p>Drawn</p> | | 24/09/2020 | | Technical |
| <p>Approved</p> | | | | 1:3 |
|  | | MATERIAL | TREATMENTS | COLOR / MATERIAL FINISH |
| <p>ITEM DESCRIPTION</p> | | <p>PILETTA Ø114 TAPPO CESTELLO PER LAVELLO CON FORO Ø90 CON TP ESTENSIBILE ROTONDO - MULTI RAY ECO</p> | | |
| | | | | A4 |