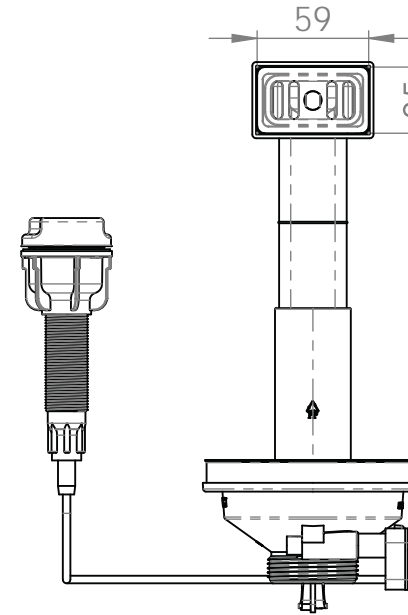
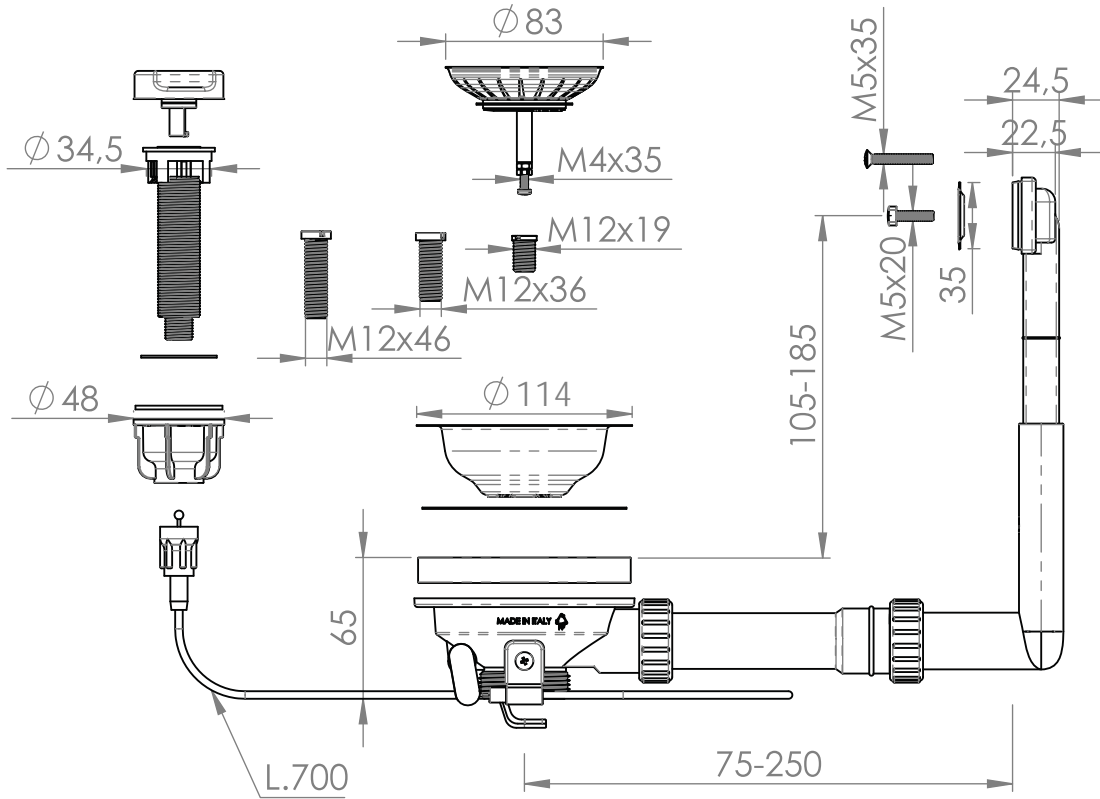


Codice Dianflex: 371-M3109



REV.	REVISION DESCRIPTION	DRAFTSMAN	DATA	APPROVED
D2591		CUSTOMER CODE	VOLUME (cm ³) / PESO (g)	
			UNITS	MOULD CODE
			mm	
UNI EN ISO 228		DATE	DRAWING TYPE	
UNI ISO 22768-mk		30/11/2020	Technical	
UNI EN 274		Approved	SCALE	
			1:4	
	MATERIAL	TREATMENTS	COLOR / MATERIAL FINISH	
ITEM DESCRIPTION				

A4