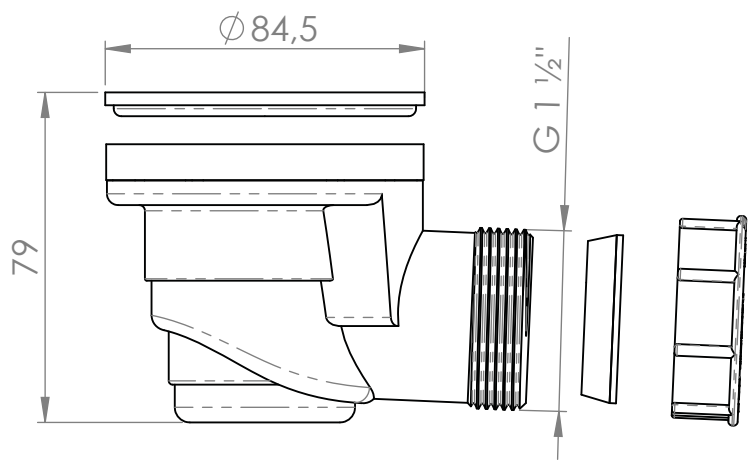
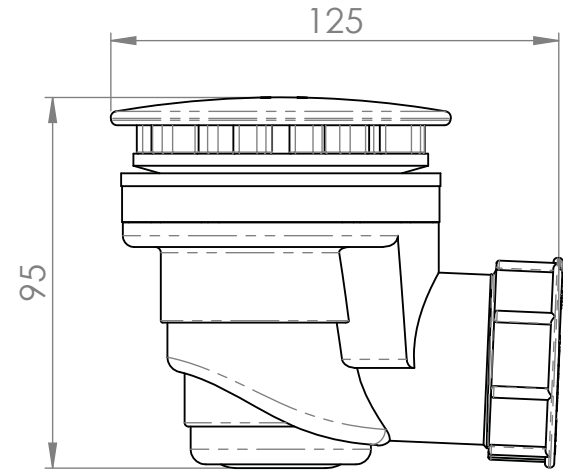
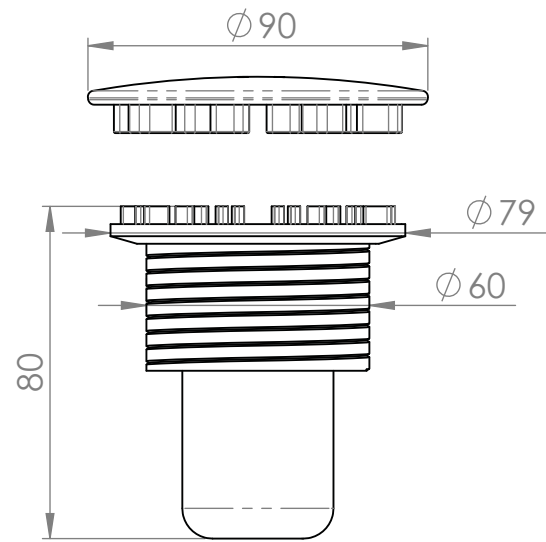


Codice Dianflex: 371-M3110-060



REV.	REVISION DESCRIPTION	DRAFTSMAN	DATA	APPROVED
9000801		CUSTOMER CODE		VOLUME (cm ³) / PESO (g)
UNI EN ISO 228 UNI ISO 22768-mk UNI EN 274		DATE	NAME	DRAWING TYPE
		03/12/2020		Technical
				1:2
		MATERIAL	TREATMENTS	COLOR / MATERIAL FINISH
				A4
ITEM DESCRIPTION				