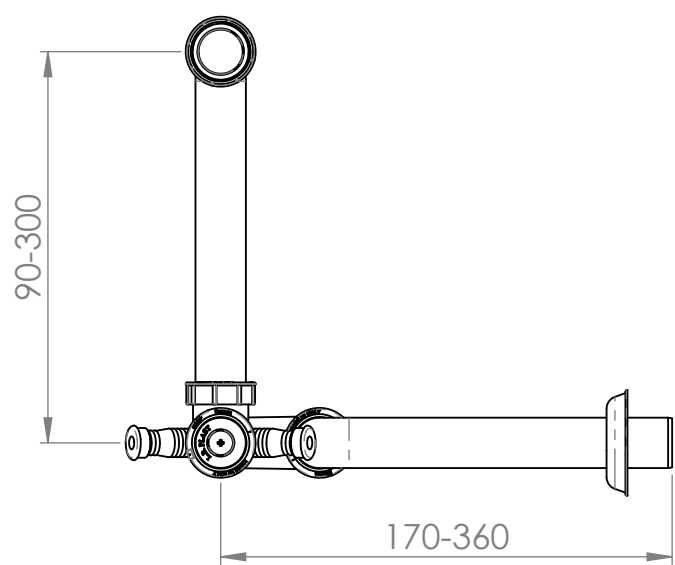
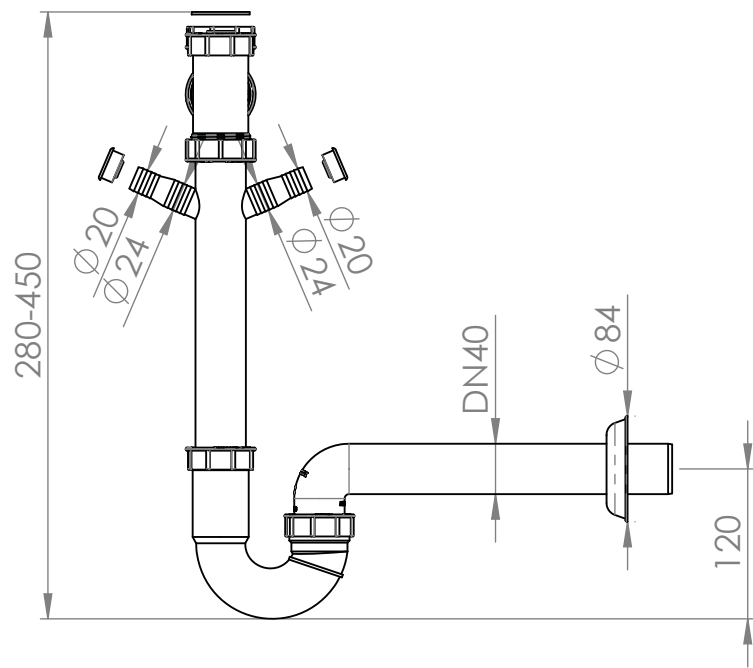
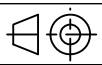


Codice Dianflex: 371-M358



REV.	REVISION DESCRIPTION	DRAFTSMAN	DATA	APPROVED
D717-SF		CUSTOMER CODE		VOLUME (cm ³) / PESO (g)
UNI EN ISO 228 UNI ISO 22768-mK UNI EN 274		DATE	NAME	DRAWING TYPE
		09/11/2020		<i>Technical</i>
MATERIAL		TREATMENTS	COLOR / MATERIAL FINISH	A4
ITEM DESCRIPTION				