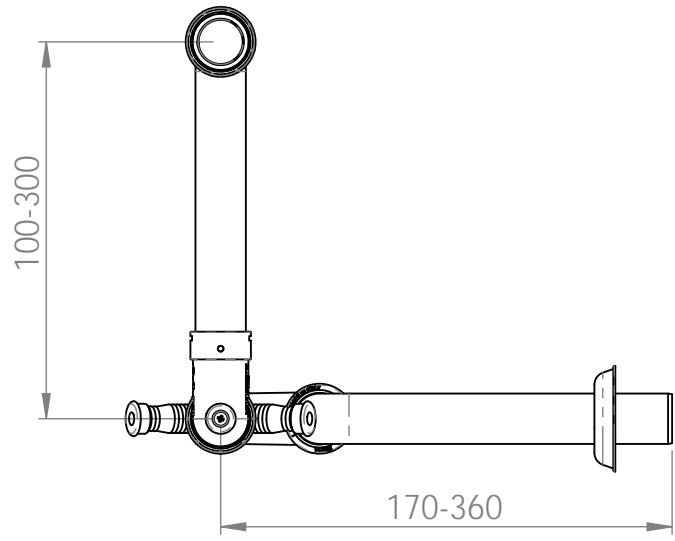
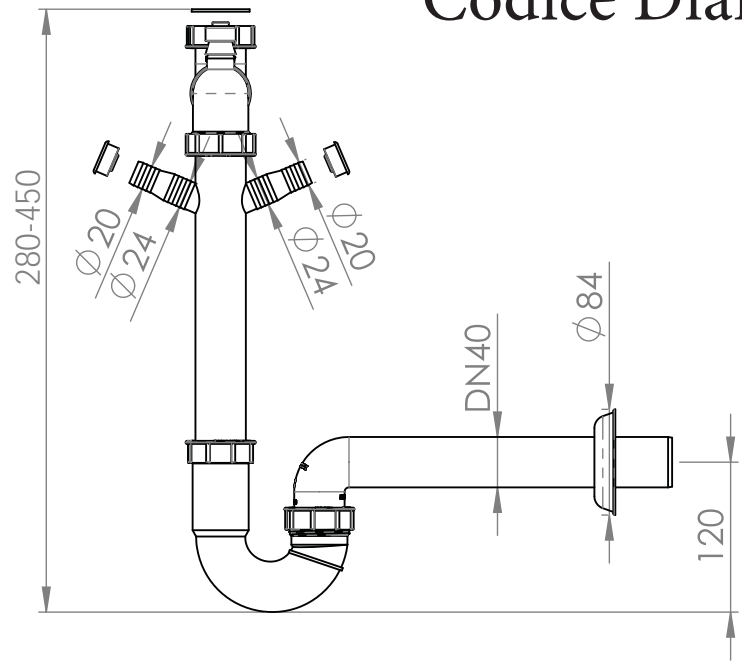
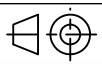


Codice Dianflex: 371-M360



REV.	REVISION DESCRIPTION	DRAFTSMAN	DATA	APPROVED
<i>D716-3KV</i>		CUSTOMER CODE	VOLUME (cm ³) / PESO (g)	
UNI EN ISO 228 UNI ISO 22768-mK UNI EN 274		DATE	NAME	DRAWING TYPE
		09/11/2020		<i>Technical</i>
MATERIAL		TREATMENTS	COLOR / MATERIAL FINISH	A4
ITEM DESCRIPTION				
Drawn		09/11/2020	SCALE	
Approved			1:6	
UNITS		MOULD CODE		
mm				