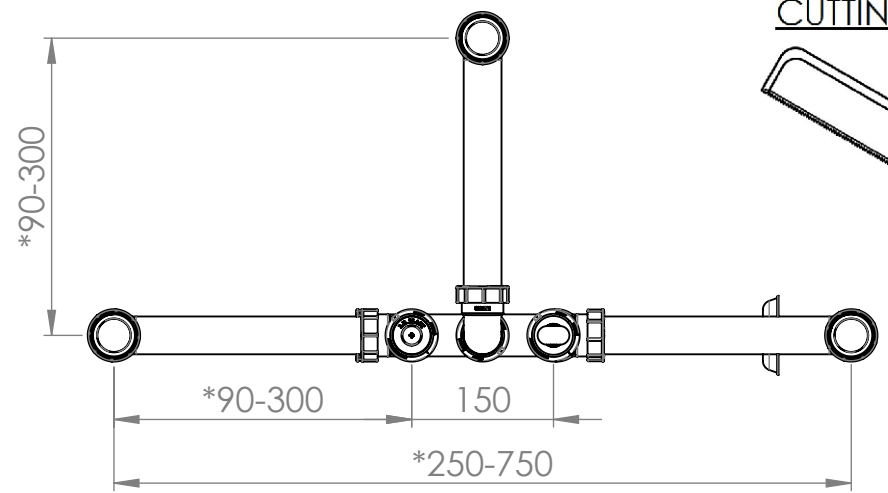
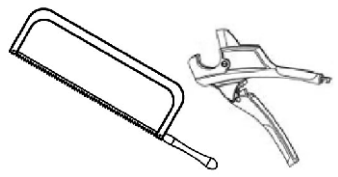
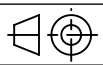


***MINIMUM BY CUTTING THE PIPES**



REV.	REVISION DESCRIPTION	DRAFTSMAN	DATA	APPROVED
CODICE DIANFLEX 371-M3601		CUSTOMER CODE	VOLUME (cm ³) / PESO (g)	
UNI EN ISO 228 UNI ISO 22768-mK UNI EN 274		DATE 23/10/2020	NAME	UNITS <i>mm</i>
		Drawn Approved	DRAWING TYPE <i>Technical</i> 1:10	MOULD CODE
MATERIAL		TREATMENTS	COLOR / MATERIAL FINISH	A4
ITEM DESCRIPTION				