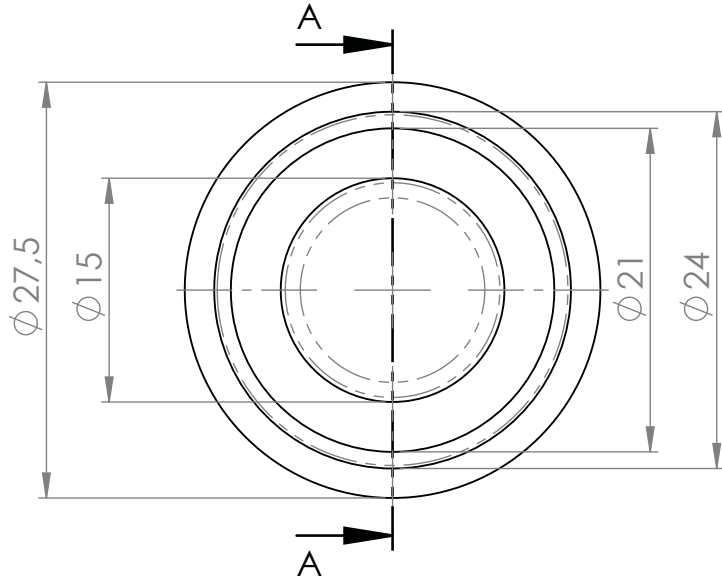
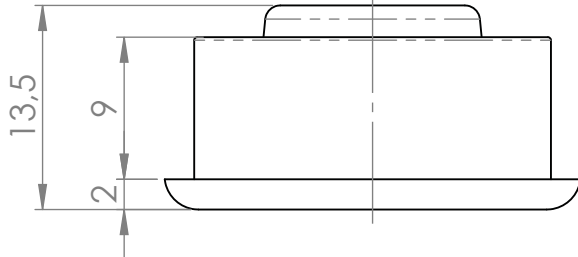
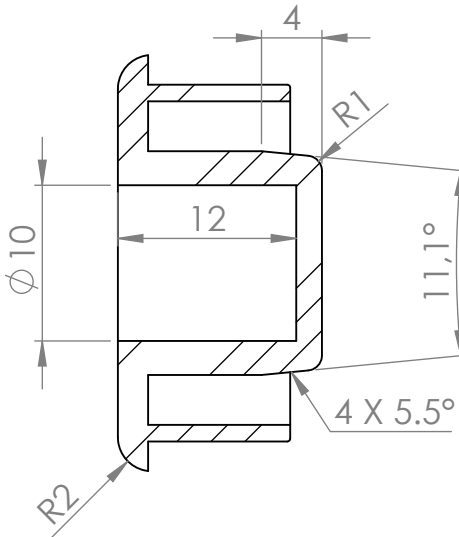



Codice Dianflex: 372-4012



A-A



REV.	REVISION DESCRIPTION	DRAFTSMAN	DATA	APPROVED
DC1197		CUSTOMER CODE		VOLUME (cm ³) / PESO (g)
UNI ISO 22768-M		DATE	NAME	DRAWING TYPE
		Drawn	30/09/2024	043
		Approved		
		TREATMENTS	COLOR / MATERIAL FINISH	A4
	ITEM DESCRIPTION TAPPINO PER ATTACCO LAVASTOVIGLIE CAP FOR DISHWASHER CONNECTION			