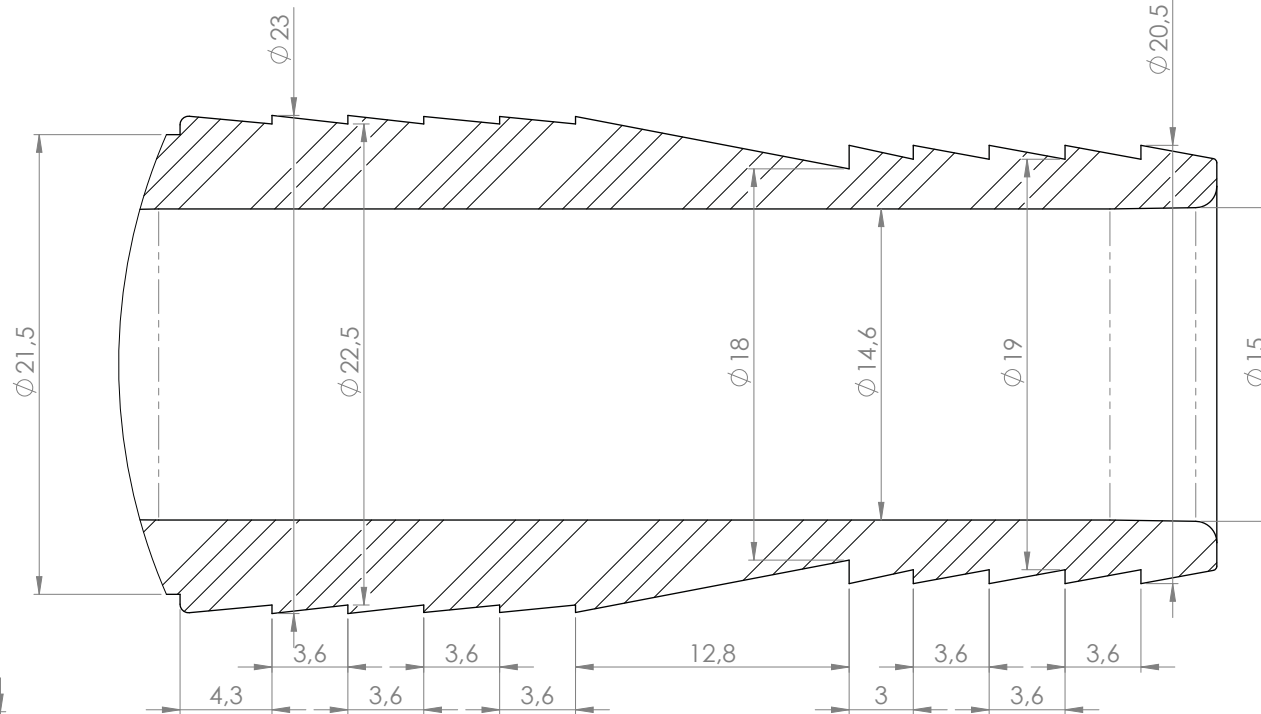
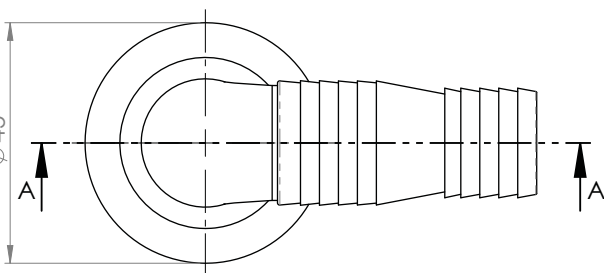


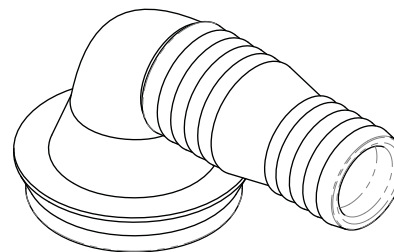
C  
2:1



A  
4:1



A-A



Codice Dianflex: 372-4013

REV.	REVISION DESCRIPTION	DRAFTSMAN	DATE	APPROVED
DC1168		CUSTOMER CODE		VOLUME (cm <sup>3</sup> )
UNI EN ISO 228 UNI ISO 22768-mK		Drawn	DATE 30/09/2024	APPROVED NAME
		Approved	SCALE 1:1	DRAWING TYPE Technical
MATERIAL PP PP		TREATMENTS	COLOR / MATERIAL FINISH BIANCO WHITE	A3
ITEM DESCRIPTION ATTACCHINO PER LAVASTOVIGLIE 90° 90° DISHWASHER CONNECTION				