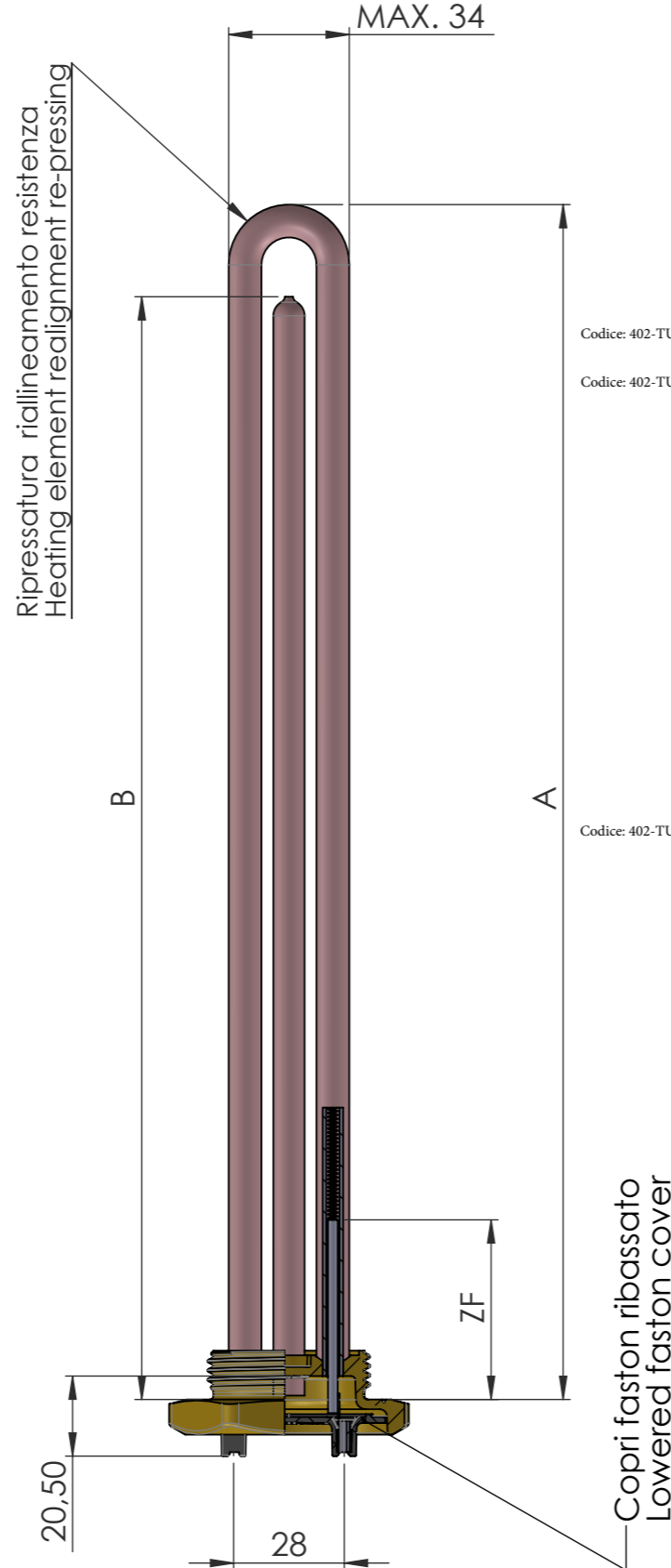
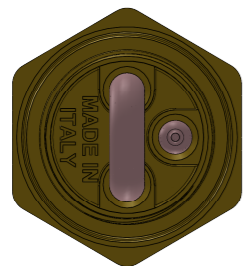
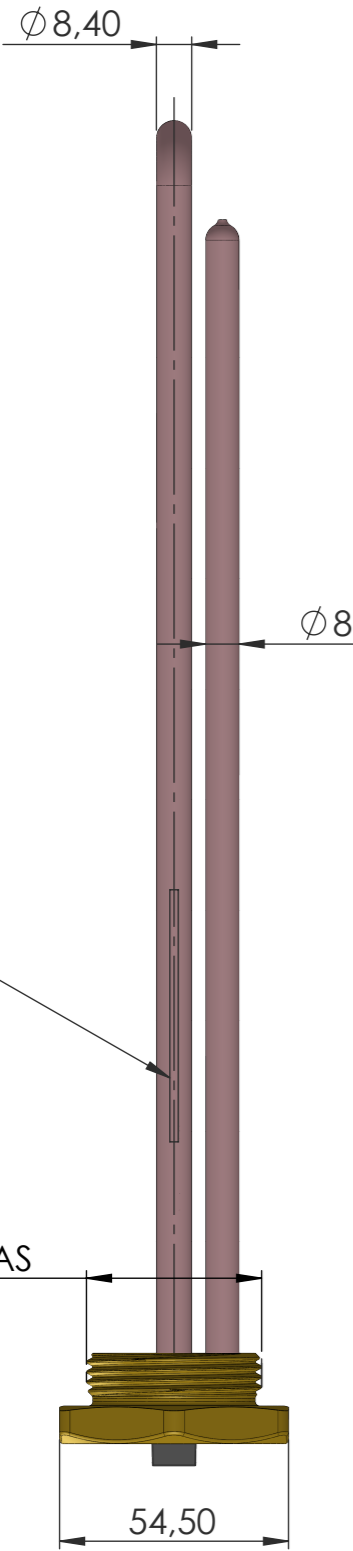
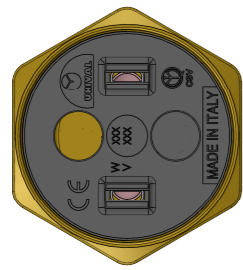


Codice Dianflex: 402-TUS304

Spazio per stampigliatura potenza e voltaggio nominali: data di produzione
 Marking: ERT power (W) Voltage (V) Production Date (WWYY) UNI



Ripressatura riallineamento resistenza
 Heating element realignment re-pressing

Copri faston ribassato
 Lowered faston cover

Codice: 402-TUS304-1500

Codice: 402-TUS304-2500

Codice: 402-TUS304-3000

Codice/Code	Descrizione/Description	Watt (+5/-10%)	Volt (V~)	ZF (mm) +10/-0	A (mm)	B (mm) +/-5	L tubo/Tube (mm)	W/cm2	CopriFaston/Faston Cover	Marchatura Tubo/Tube Marking						
	HU UNIVAL ERT mod 304 STRAIGHT 1000W 220V	1000	220	40	238.5 +/-10	220	466	8.1	Black	ERT 1000W 220V 03/22 UNI						
	HU UNIVAL ERT mod 304 STRAIGHT 1200W 220V	1200						9.8		ERT 1200W 220V 03/22 UNI						
	HU UNIVAL ERT mod 304 STRAIGHT 1000W 230V	1000	230					8.1		ERT 1000W 230V 03/22 UNI						
	HU UNIVAL ERT mod 304 STRAIGHT 1200W 230V	1200						9.8		ERT 1200W 230V 03/22 UNI						
	HU UNIVAL ERT mod 304 STRAIGHT 1000W 220-240V	1000	220-240					8.1		ERT 1000W 220V-240V 03/22 UNI						
	HU UNIVAL ERT mod 304 STRAIGHT 1200W 220-240V	1200						9.8		ERT 1200W 220V-240V 03/22 UNI						
	HU UNIVAL ERT mod 304 STRAIGHT 1000W 220V	1000	220					40		285 +/-10	280	562	6.7	Black	ERT 1000W 220V 03/22 UNI	
	HU UNIVAL ERT mod 304 STRAIGHT 1200W 220V	1200											8.1		ERT 1200W 220V 03/22 UNI	
	HU UNIVAL ERT mod 304 STRAIGHT 1500W 220V	1500											10.1		ERT 1500W 220V 03/22 UNI	
	HU UNIVAL ERT mod 304 STRAIGHT 2000W 220V	2000											13.5		ERT 2000W 220V 03/22 UNI	
	HU UNIVAL ERT mod 304 STRAIGHT 2500W 220V	2500	16.9	ERT 2500W 220V 03/22 UNI												
	HU UNIVAL ERT mod 304 STRAIGHT 1000W 230V	1000	230	6.7	ERT 1000W 230V 03/22 UNI											
	HU UNIVAL ERT mod 304 STRAIGHT 1200W 230V	1200		8.1	ERT 1200W 230V 03/22 UNI											
	HU UNIVAL ERT mod 304 STRAIGHT 1500W 230V	1500		10.1	ERT 1500W 230V 03/22 UNI											
	HU UNIVAL ERT mod 304 STRAIGHT 2000W 230V	2000		13.5	ERT 2000W 230V 03/22 UNI											
	HU UNIVAL ERT mod 304 STRAIGHT 2500W 230V	2500	16.9	ERT 2500W 230V 03/22 UNI												
030461060E	HU UNIVAL ERT mod 304 STRAIGHT 1000W 220-240V	1000	220-240	6.7	ERT 1000W 220V-240V 03/22 UNI											
030461260E	HU UNIVAL ERT mod 304 STRAIGHT 1200W 220-240V	1200		8.1	ERT 1200W 220V-240V 03/22 UNI											
030461560E	HU UNIVAL ERT mod 304 STRAIGHT 1500W 220-240V	1500		10.1	ERT 1500W 220V-240V 03/22 UNI											
030462060E	HU UNIVAL ERT mod 304 STRAIGHT 2000W 220-240V	2000		13.5	ERT 2000W 220V-240V 03/22 UNI											
030462560E	HU UNIVAL ERT mod 304 STRAIGHT 2500W 220-240V	2500	16.9	ERT 2500W 220V-240V 03/22 UNI												
	HU UNIVAL ERT mod 304 STRAIGHT 1200W 220V	1200	220	40	300 +/-10	280	593	7.7	Black	ERT 1200W 220V 03/22 UNI						
	HU UNIVAL ERT mod 304 STRAIGHT 1500W 220V	1500						9.6		ERT 1500W 220V 03/22 UNI						
	HU UNIVAL ERT mod 304 STRAIGHT 2000W 220V	2000						12.8		ERT 2000W 220V 03/22 UNI						
	HU UNIVAL ERT mod 304 STRAIGHT 2500W 220V	2500						16.0		ERT 2500W 220V 03/22 UNI						
	HU UNIVAL ERT mod 304 STRAIGHT 3000W 220V	3000						19.2		ERT 3000W 220V 03/22 UNI						
	HU UNIVAL ERT mod 304 STRAIGHT 1200W 230V	1200	230					7.7		ERT 1200W 230V 03/22 UNI						
	HU UNIVAL ERT mod 304 STRAIGHT 1500W 230V	1500						9.6		ERT 1500W 230V 03/22 UNI						
	HU UNIVAL ERT mod 304 STRAIGHT 2000W 230V	2000						12.8		ERT 2000W 230V 03/22 UNI						
	HU UNIVAL ERT mod 304 STRAIGHT 2500W 230V	2500						16.0		ERT 2500W 230V 03/22 UNI						
	HU UNIVAL ERT mod 304 STRAIGHT 1200W 220-240V	1200						220-240		7.7	ERT 1200W 220V-240V 03/22 UNI					
	HU UNIVAL ERT mod 304 STRAIGHT 1500W 220-240V	1500	9.6	ERT 1500W 220V-240V 03/22 UNI												
	HU UNIVAL ERT mod 304 STRAIGHT 2000W 220-240V	2000	12.8	ERT 2000W 220V-240V 03/22 UNI												
	HU UNIVAL ERT mod 304 STRAIGHT 2500W 220-240V	2500	16.0	ERT 2500W 220V-240V 03/22 UNI												
	HU UNIVAL ERT mod 304 STRAIGHT 3000W 220-240V	3000	19.2	ERT 3000W 220V-240V 03/22 UNI												
	HU UNIVAL ERT mod 304 STRAIGHT 3000W 220V	3000	220	40	325 +/-15	280	640	17.8	Black	ERT 3000W 220V 03/22 UNI						
	HU UNIVAL ERT mod 304 STRAIGHT 3000W 230V	3000						230		17.8	ERT 3000W 230V 03/22 UNI					
030463060P	HU UNIVAL ERT mod 304 STRAIGHT 3000W 220-240V	3000	220-240					17.8		ERT 3000W 220V-240V 03/22 UNI						
030462060B	HU UNIVAL ERT mod 304 STRAIGHT 3000W 220-240V	2000	220-240					40		400 +/-15	280	794	6.4	Black	ERT 2000W 220V-240V 03/22 UNI	
	HU UNIVAL ERT mod 304 STRAIGHT 2500W 220V	2500	220					40		430 +/-15	280	847	11.2	Black	ERT 2500W 220V 03/22 UNI	
	HU UNIVAL ERT mod 304 STRAIGHT 3000W 220V	3000											13.4		ERT 3000W 220V 03/22 UNI	
	HU UNIVAL ERT mod 304 STRAIGHT 4000W 220V	4000											17.9		ERT 4000W 220V 03/22 UNI	
	HU UNIVAL ERT mod 304 STRAIGHT 2500W 230V	2500											230		11.2	ERT 2500W 230V 03/22 UNI
	HU UNIVAL ERT mod 304 STRAIGHT 3000W 230V	3000													13.4	ERT 3000W 230V 03/22 UNI
	HU UNIVAL ERT mod 304 STRAIGHT 4000W 230V	4000	220-240										17.9		ERT 4000W 230V 03/22 UNI	
030462560B	HU UNIVAL ERT mod 304 STRAIGHT 2500W 220-240V	2500		11.2	ERT 2500W 220V-240V 03/22 UNI											
	HU UNIVAL ERT mod 304 STRAIGHT 3000W 220-240V	3000	13.4	ERT 3000W 220V-240V 03/22 UNI												
	HU UNIVAL ERT mod 304 STRAIGHT 4000W 220-240V	4000	17.9	ERT 4000W 220V-240V 03/22 UNI												
	HU UNIVAL ERT mod 304 STRAIGHT 2000W 220V	2000	220	165	900 +20/-40	280	1754		4.3				Black		ERT 2000W 220V 03/22 UNI	
	HU UNIVAL ERT mod 304 STRAIGHT 2500W 220V	2500						5.4	ERT 2500W 220V 03/22 UNI							
	HU UNIVAL ERT mod 304 STRAIGHT 3000W 220V	3000						6.5	ERT 3000W 220V 03/22 UNI							
	HU UNIVAL ERT mod 304 STRAIGHT 4000W 220V	4000						8.6	ERT 4000W 220V 03/22 UNI							
	HU UNIVAL ERT mod 304 STRAIGHT 2000W 230V	2000						230	4.3	ERT 2000W 230V 03/22 UNI						
	HU UNIVAL ERT mod 304 STRAIGHT 2500W 230V	2500	5.4						ERT 2500W 230V 03/22 UNI							
	HU UNIVAL ERT mod 304 STRAIGHT 3000W 230V	3000	220-240					6.5	ERT 3000W 230V 03/22 UNI							
	HU UNIVAL ERT mod 304 STRAIGHT 4000W 230V	4000						8.6	ERT 4000W 230V 03/22 UNI							
	HU UNIVAL ERT mod 304 STRAIGHT 2000W 220-240V	2000	220-240					4.3	ERT 2000W 220V-240V 03/22 UNI							
	HU UNIVAL ERT mod 304 STRAIGHT 2500W 220-240V	2500						5.4	ERT 2500W 220V-240V 03/22 UNI							
	HU UNIVAL ERT mod 304 STRAIGHT 3000W 220-240V	3000		6.5	ERT 3000W 220V-240V 03/22 UNI											
	HU UNIVAL ERT mod 304 STRAIGHT 4000W 220-240V	4000		8.6	ERT 4000W 220V-240V 03/22 UNI											

Descrizione - Description

Elemento riscaldante ERT mod.304 diritto
 Heating element ERT mod.304 straight

Scheda tecnica - Data sheet



UNIVAL
 UNIQUE VALUE FOR YOU — MADE IN ITALY

Codice catalogo - Catalogue code

ART.304

Codice articolo - Article code

Disegnato - Designed
 PALETTI M.

Data emissione - Issue date
 23/11/2023 Rev.02

Questo disegno è di proprietà della UNIVAL srl.
 è vietata a termini di legge la riproduzione e divulgazione
 This drawing is the property of UNIVAL srl.
 reproduction and disclosure is prohibited by law

TOLERANCE CLASS	LINEAR MEASURES					EXTERNAL RADII AND CHAMFER HEIGHTS			ANGULAR MEASURES			
	0,5 upto 3	>3 upto 6	>6 upto 30	>30 upto 120	>400 upto1000	0,5 upto 3	>3 upto 6	>6	0,5 upto 10	>10 upto 50	>50 upto 120	>120 upto 400
□ fine(f)	±0,05	±0,05	±0,10	±0,15	±0,50	±0,20	±0,50	±1,00	±1°00'	±0°30'	±0°20'	±0°10'
□ medium(m)	±0,10	±0,10	±0,20	±0,30	±1,20				±1°30'	±1°00'	±0°30'	±0°15'
□ coarse(c)	±0,15	±0,20	±0,50	±0,80	±3,00				±0,40	±1,00	±2,00	