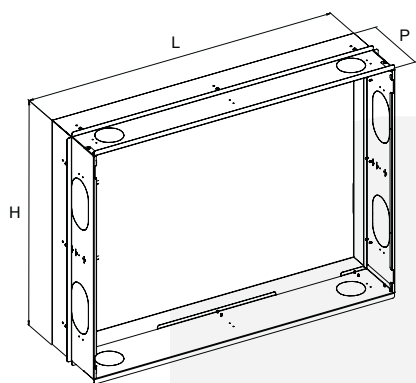
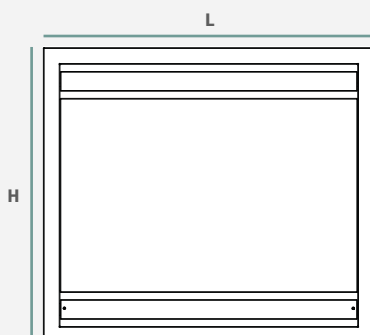


□ Pannello incasso

VCE | VCE-ECM



MNFP-V



VCE X2-X3

	misure nicchia	misure pannello frontale
MOD. 10	780 x 220 x (H)690	840 x 7 x (H)750
MOD. 20	930 x 220 x (H)690	990 x 7 x (H)750
MOD. 30	1080 x 220 x (H)690	1140 x 7 x (H)750
MOD. 40	1080 x 220 x (H)690	1140 x 7 x (H)750
MOD. 50	1380 x 220 x (H)690	1440 x 7 x (H)750
MOD. 60	1380 x 220 x (H)690	1440 x 7 x (H)750
MOD. 70	1380 x 220 x (H)775	1440 x 7 x (H)835
MOD. 80	1530 x 220 x (H)775	1590 x 7 x (H)835
MOD. 90	1530 x 220 x (H)775	1590 x 7 x (H)835

L x P x H (mm)

