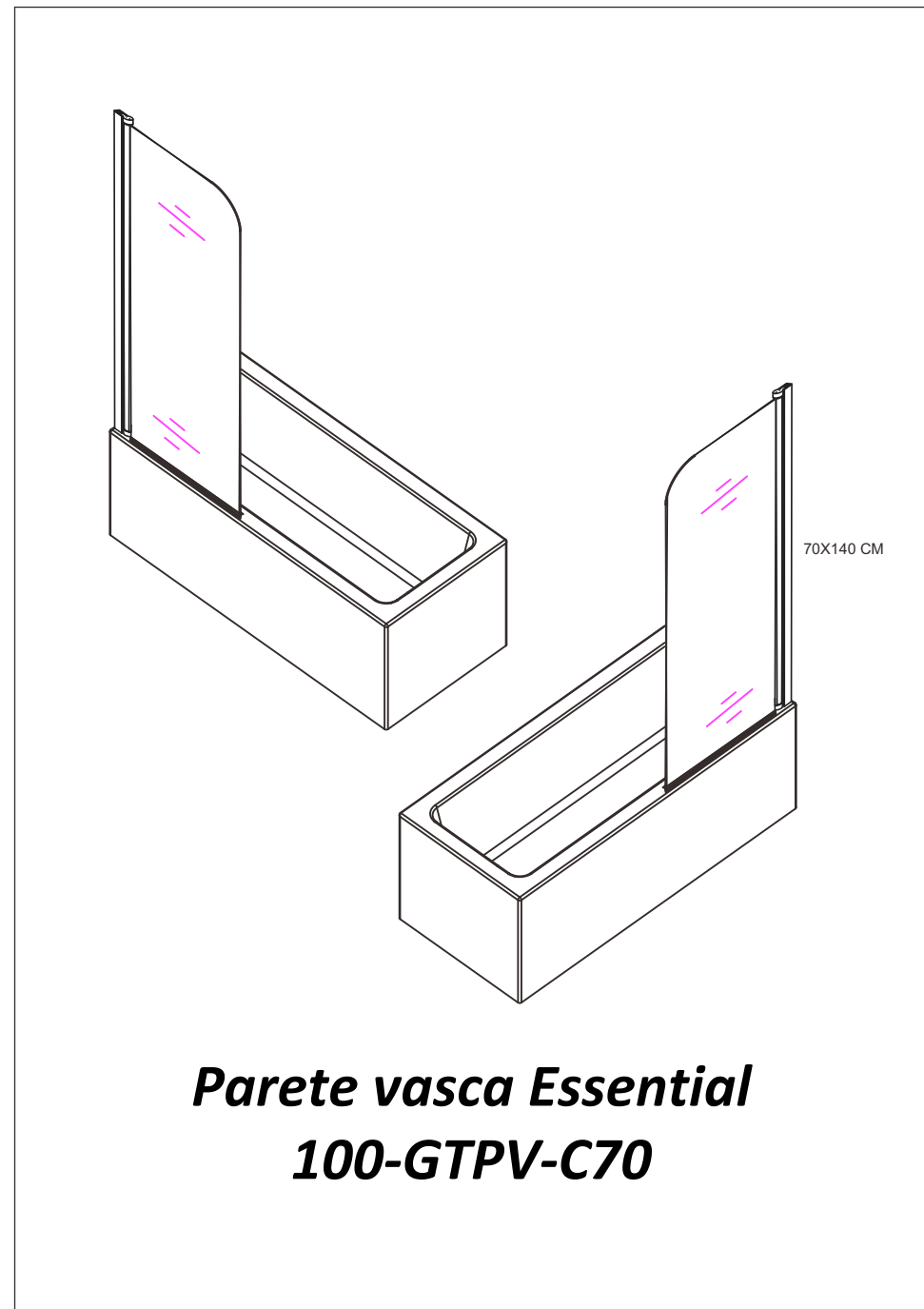
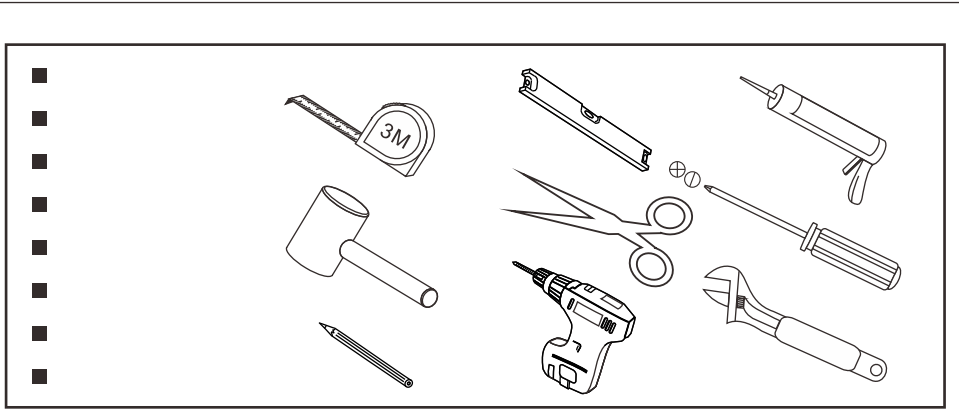
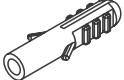







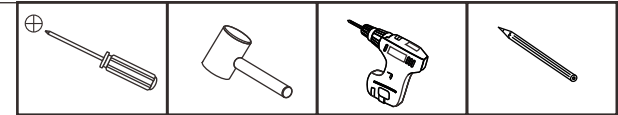
4





1



A1		x3	C		x3
A2	 ST4X35mm	x3	D	 4X12	x3
B		x1	E	 φ3mm	x1



A1		X3	A2	 ST4X35mm	X3
----	---	----	----	---	----

