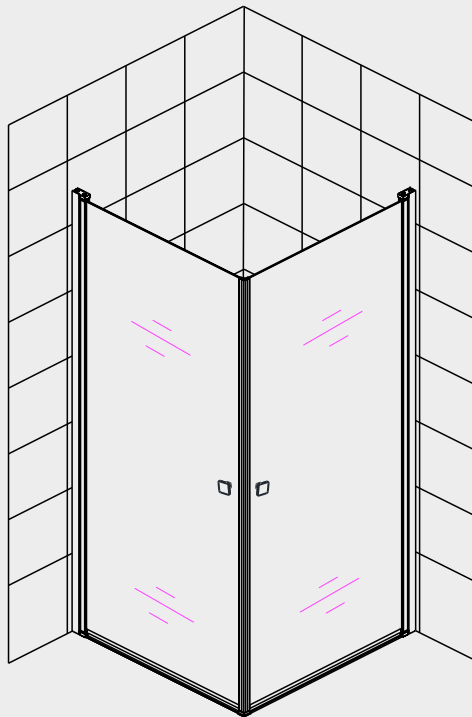


# ***DIANHYDRO***<sup>®</sup>

**PARETE DEFLETTORE**

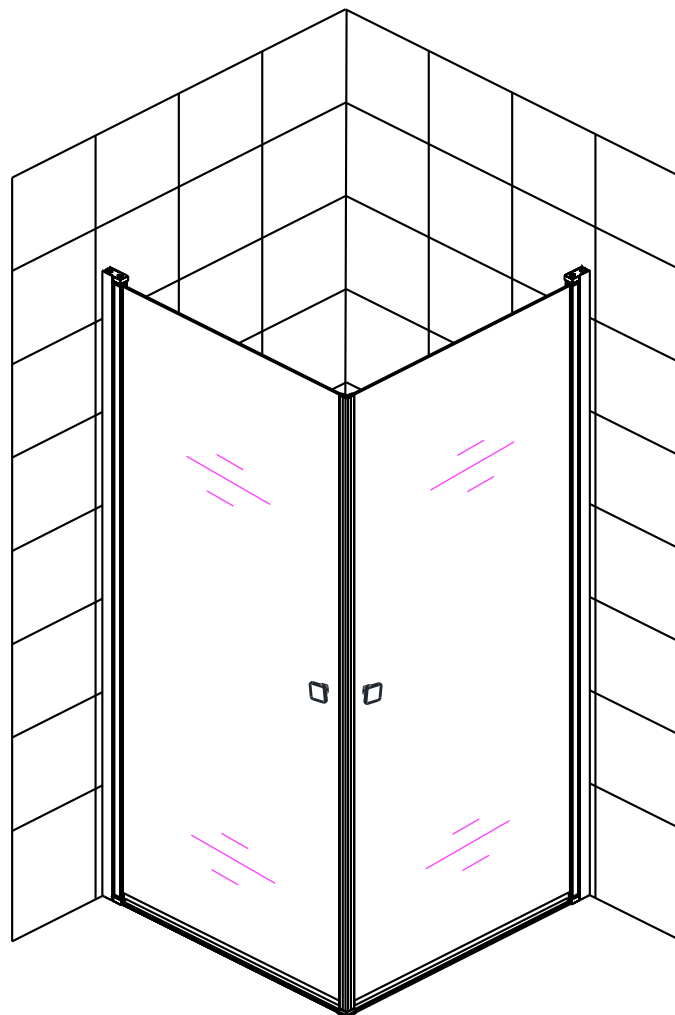
**Linea Clever**

**CODICE 100-LWA2-C**

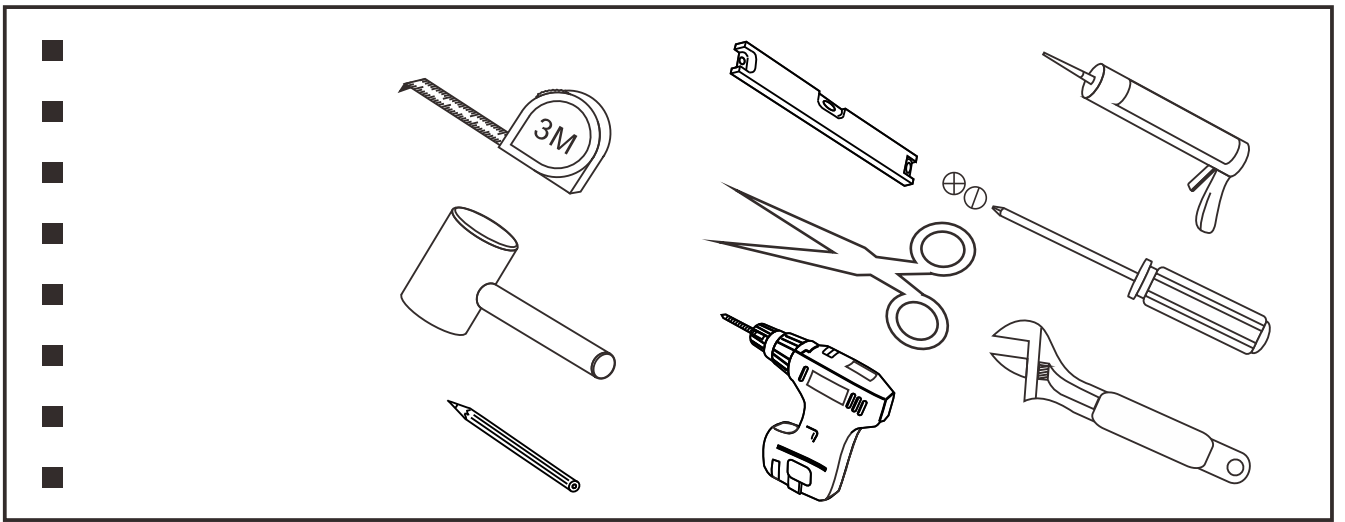



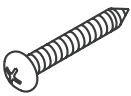
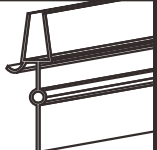
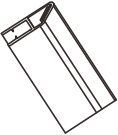

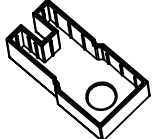
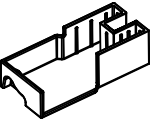
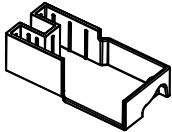
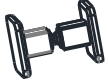

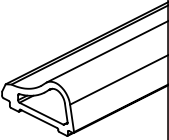


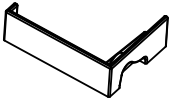
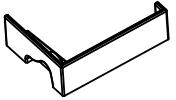
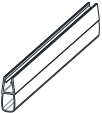
**MANUALE DI INSTALLAZIONE**

**CE**

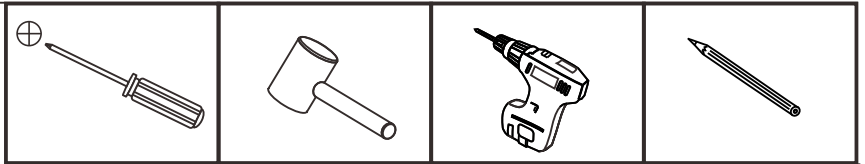


1




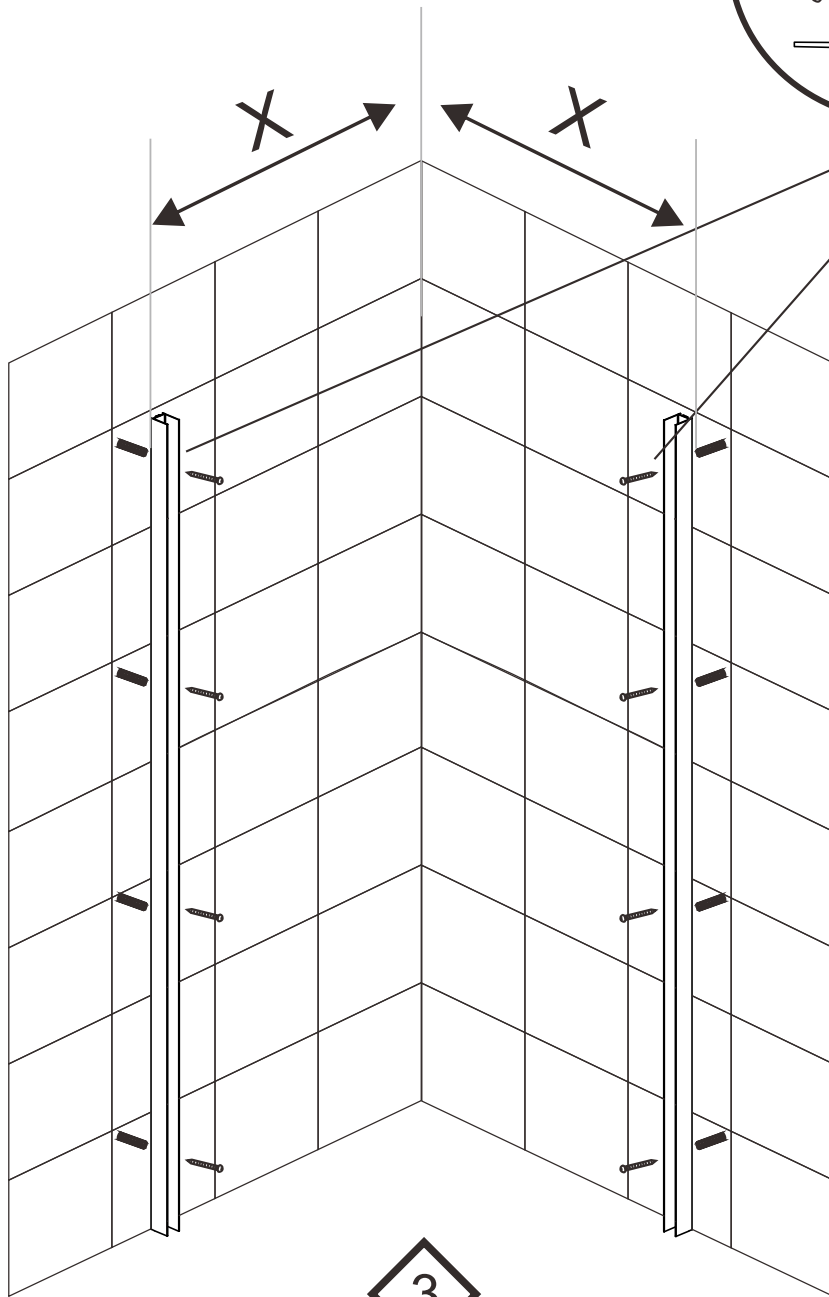
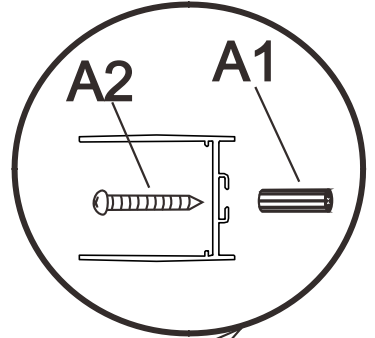
A1		X8	A2	 ST4X35mm	X8	B1		X2
B2		X2	D	 4X12	X6	E4		X2
E5		X1	E6		X1	F1		X2
F2		X1	F3		X2	G	 φ3mm	X1
G2		X6	G3		X1	G4		X1
G1		X1						

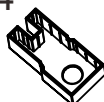

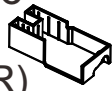
2

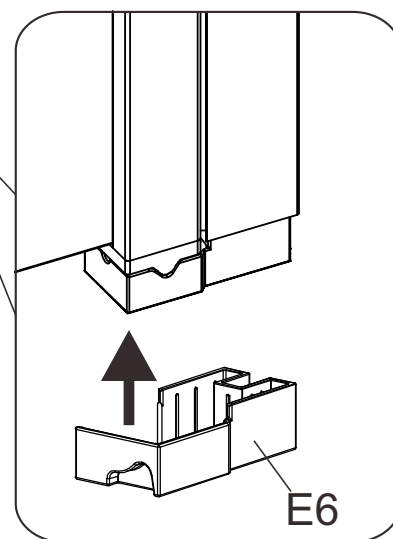
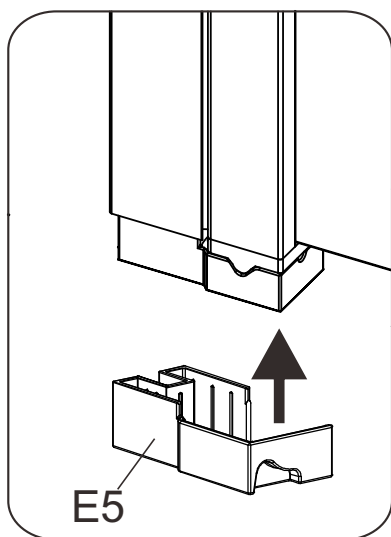
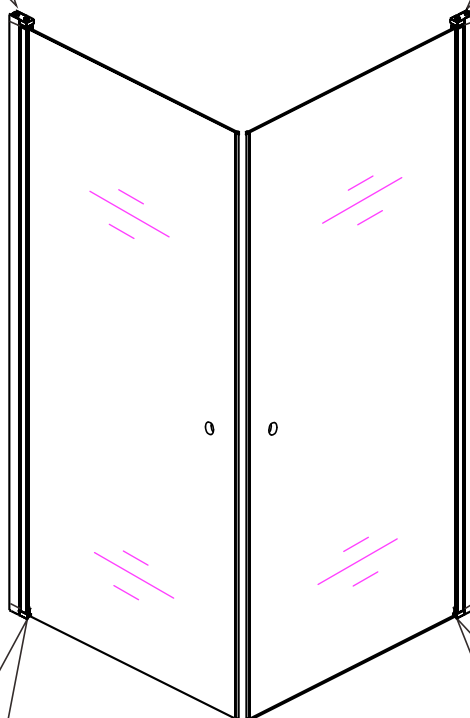
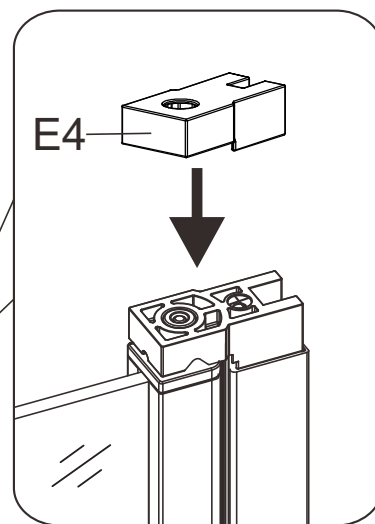
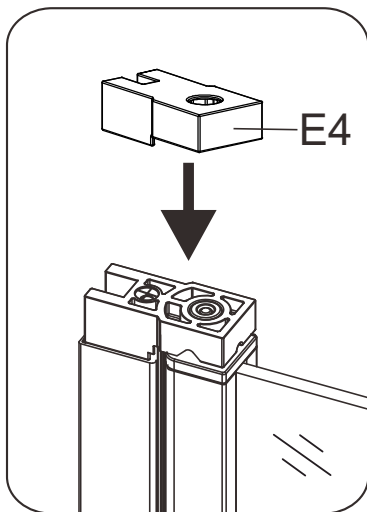


	X
700X700mm	690-710mm
800X800mm	790-810mm
900X900mm	890-910mm

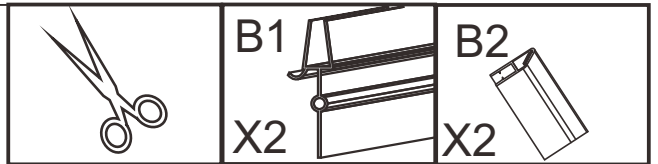
A1	 X8	A2	 ST4X35mm X8
----	--	----	---



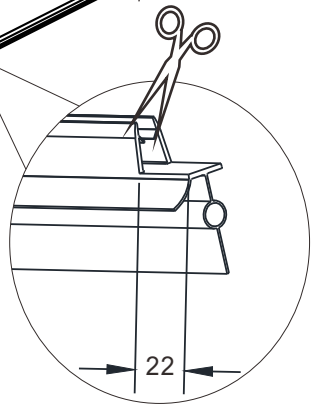
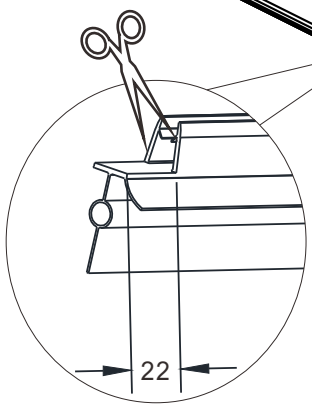
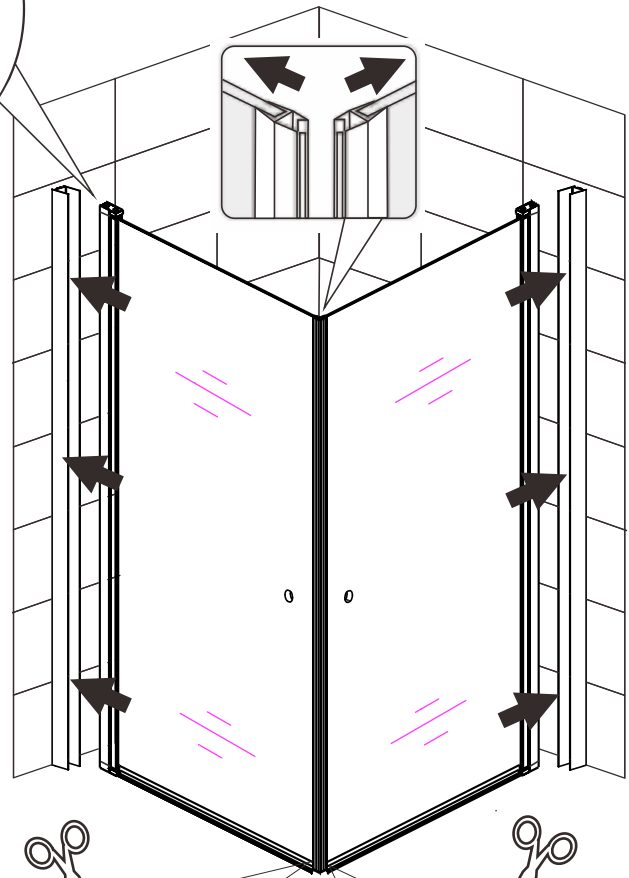
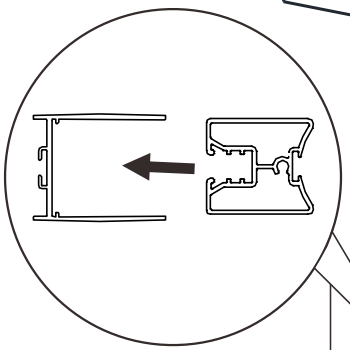
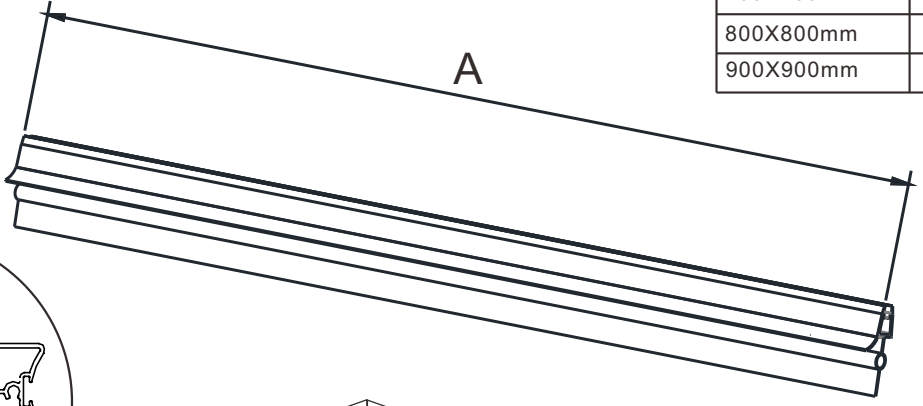
<p>E4 X2</p> 	<p>E5 X1 (L)</p> 	<p>E6 X1 (R)</p> 
--	--	--




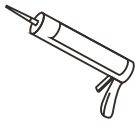
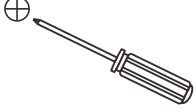

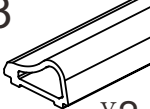

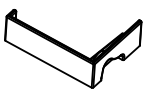



4

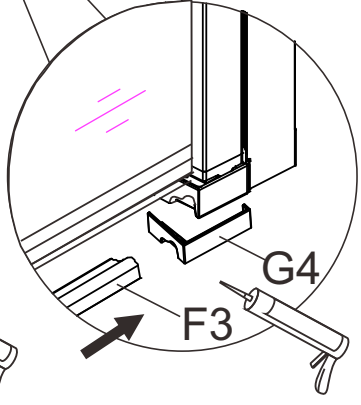
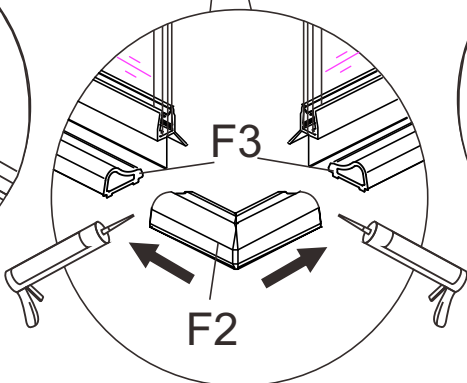
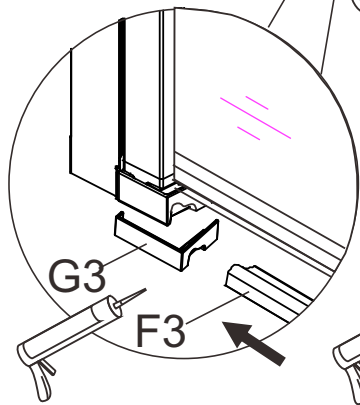
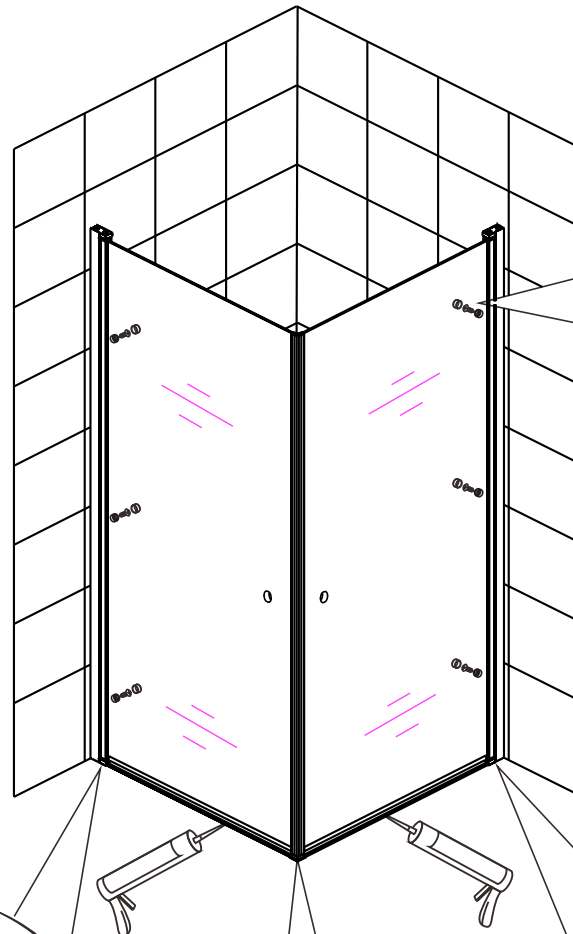


	A
700X700mm	619mm
800X800mm	719mm
900X900mm	819mm

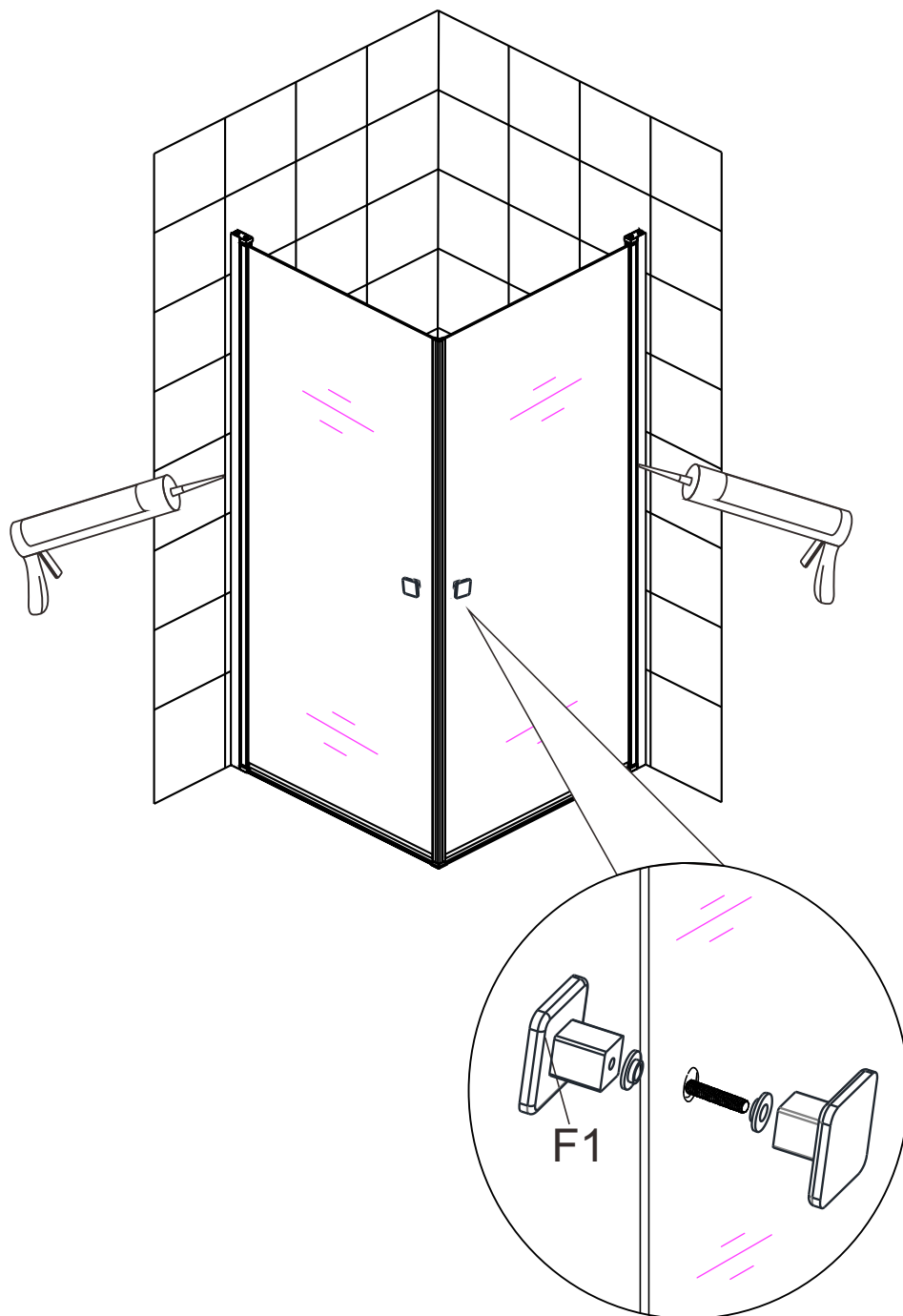
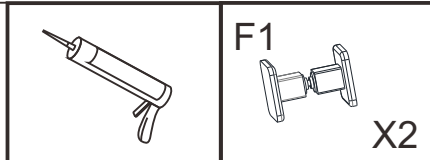


5

			<b>D</b>  X6 4X12	<b>F3</b>  X2	<b>F2</b>  X1
<b>G3</b>  X1	<b>G4</b>  X1	<b>G</b>  X1 φ3mm	<b>G2</b>  X6		



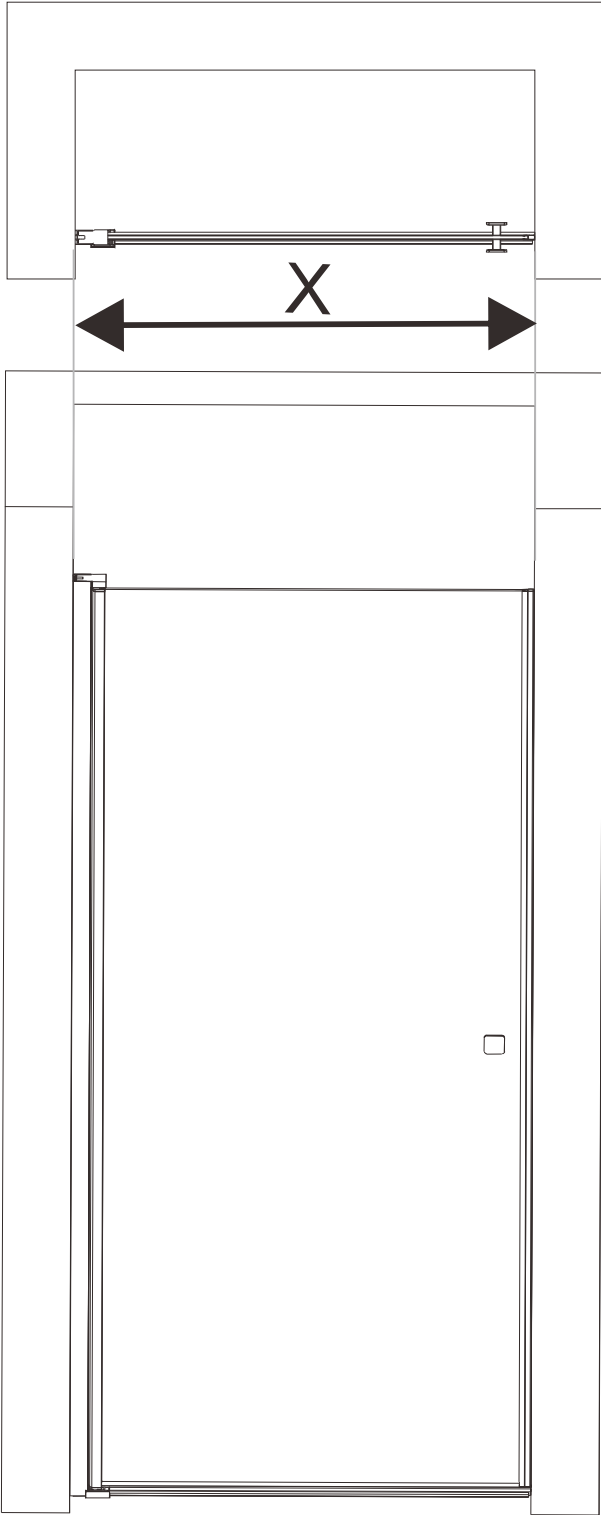
6

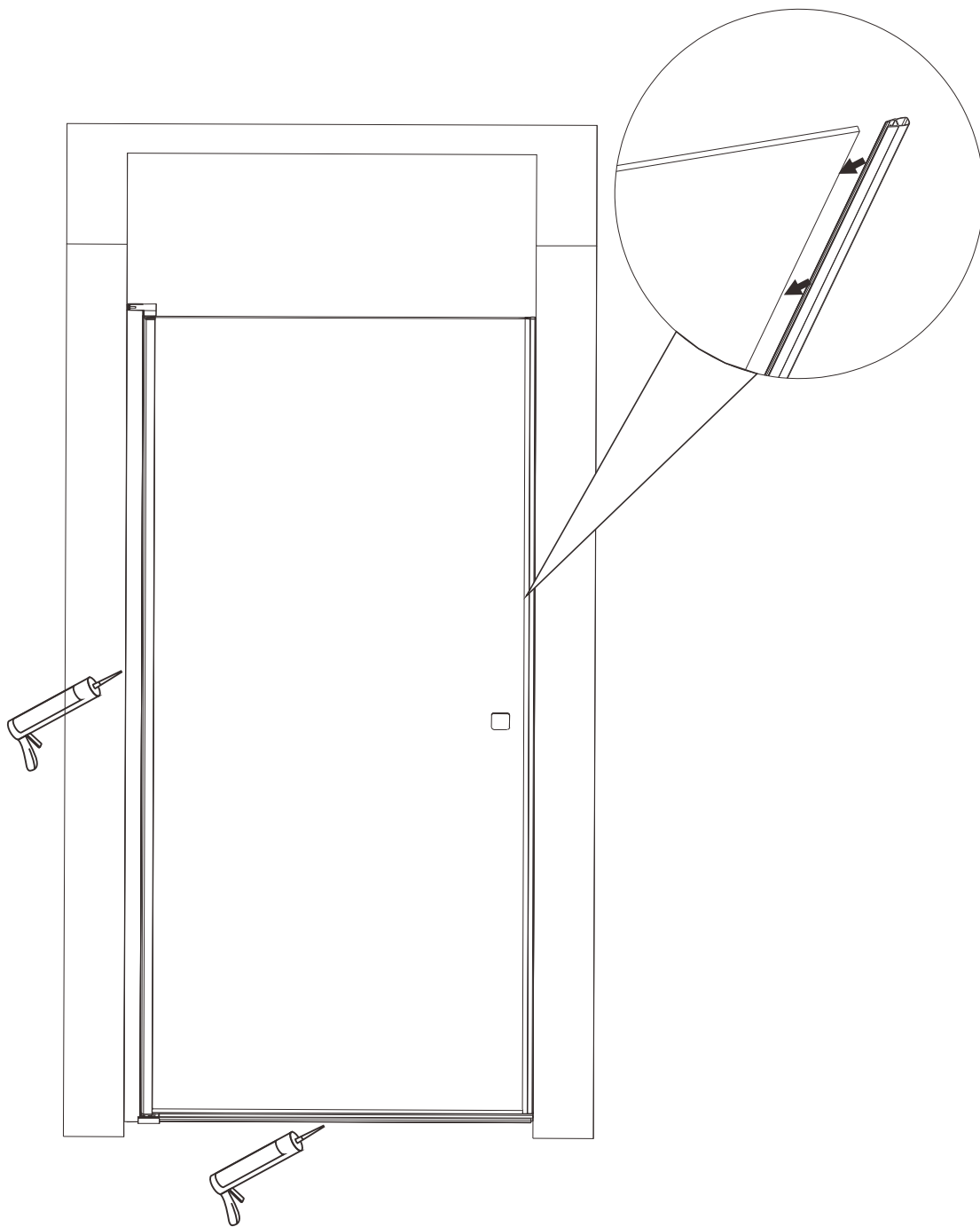
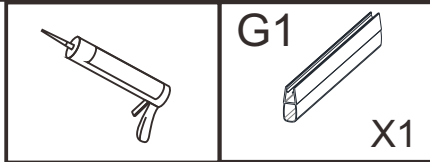


7



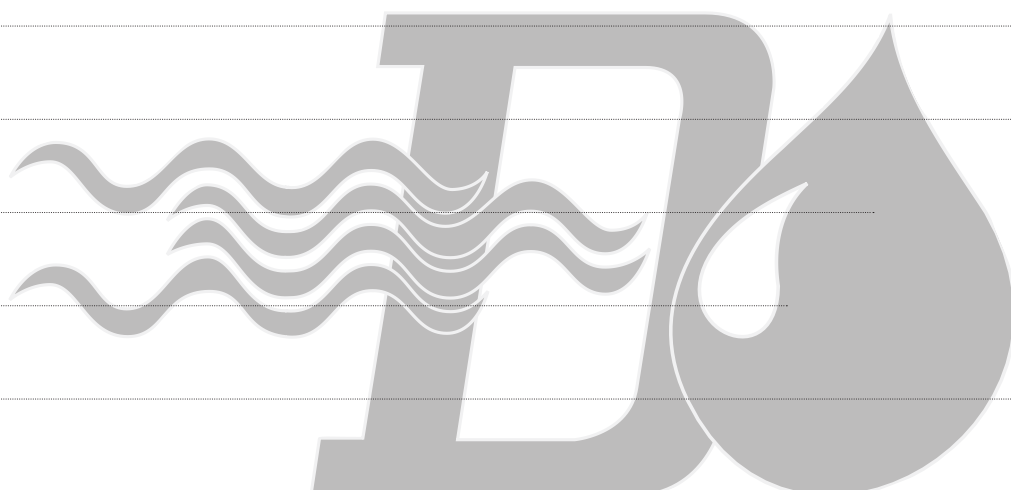
	X
700X700mm	680-700mm
800X800mm	780-800mm
900X900mm	880-900mm





9

# NOTE





---

PARETE DEFLETTORE  
**Linea Clever**  
CODICE 100-LWA2-C

*Dianhydro è un marchio Dianflex S.r.l.*  
*info@dianflex.com*  
*dianflex.com*

